

# RUBIK BODY SHELL

NO.48204 CLEAR

NO.48205 / 48206 TRIMMED AND  
PATTERN SEMI-PRINTED

# killerbody™

1/10 RC PLANNING INSTRUCTION SHEET

This body can be used with 1/10 electric Monster truck (Long Wheelbase: 325mm Width: 175mm)  
Fit for Traxxas E-MAXX Monster Truck

**Before beginning assembly, please read these instructions thoroughly!**

● Symbols used throughout the instruction manual, comprise:



Cut off shaded portion.



5mm  
Drill holes with  
the specified diameter.



Pay close attention here!



Must be purchased  
separately.



Assemble left and right sides  
the same way.



● Before Assembly

#### Decoration Body

- ▶ In the case of a decoration body, please assemble it according to the contents showed.

#### When making the window transparent:

- ▶ If you want to make the window transparent with a non decoration body, please assemble it according to the contents showed.

#### Non Decoration Body

- ▶ In the case of non decoration body, please assemble it according to the contents showed.

#### When loading LED lights

- ▶ If you want to load LED lights with a non decoration body, please assemble it according to the contents showed.

# 1 Body shell

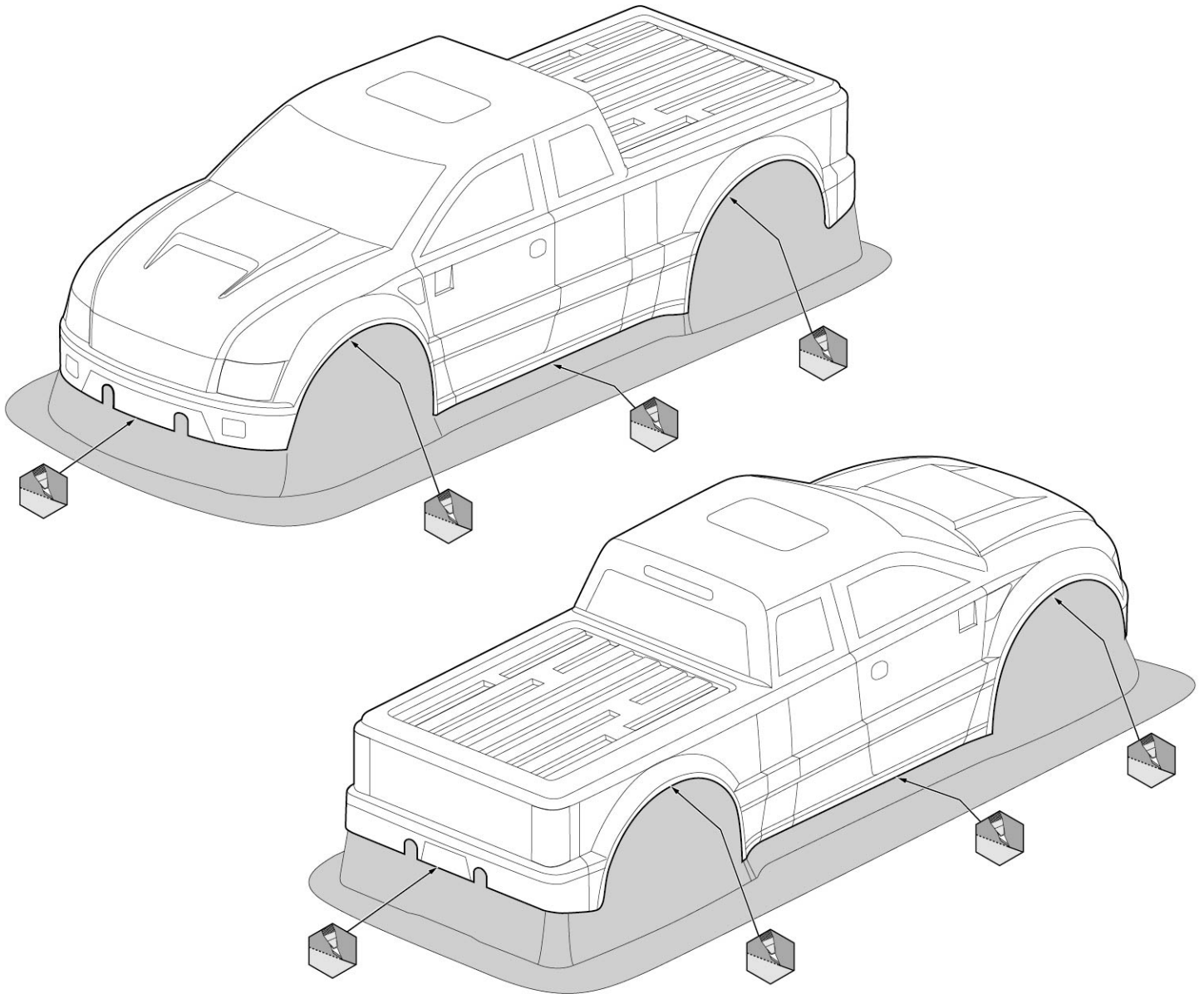
Non Decoration Body

When making the window transparent:

When loading LED lights

## PARTS

BODY	-----	X1	LOGO DECAL SHEET	-----	X1
WINDOW MASKS	-----	X1			
DECAL SHEET	-----	X2			



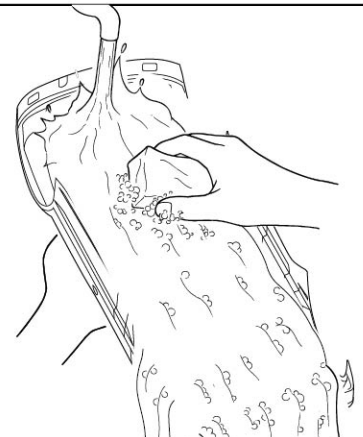
# 2 Painting

Non Decoration Body

When loading LED lights

1 Before painting, use a neutral detergent to remove any oil residues and dirt.

When making the window transparent:

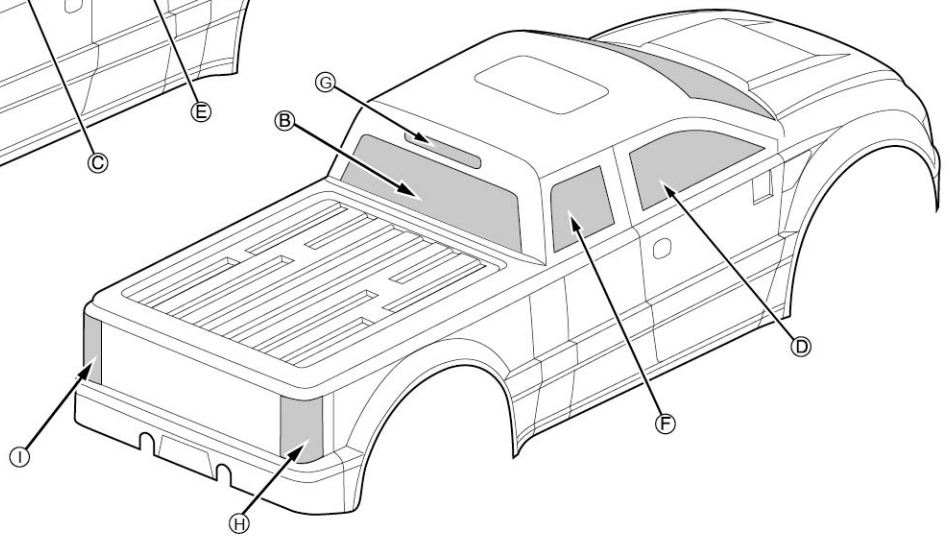
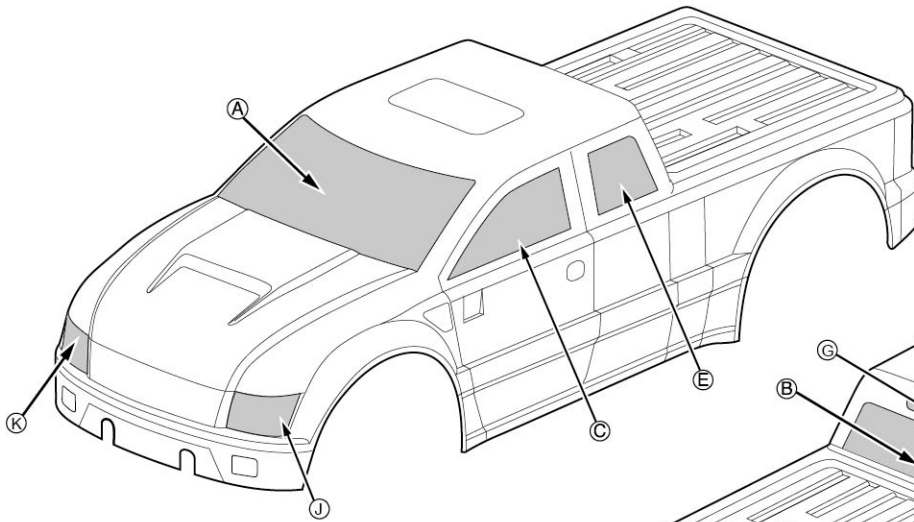
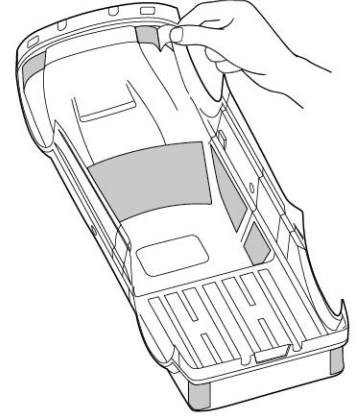
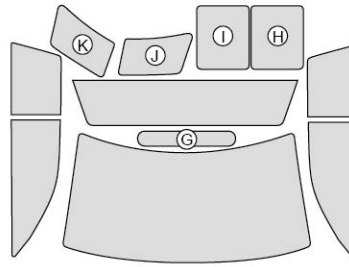
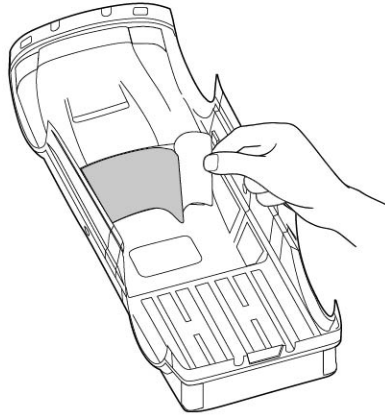
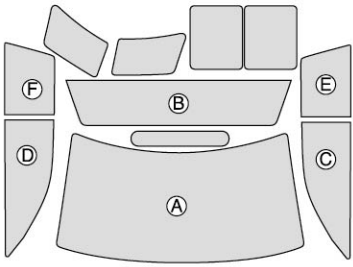


When making the window transparent:

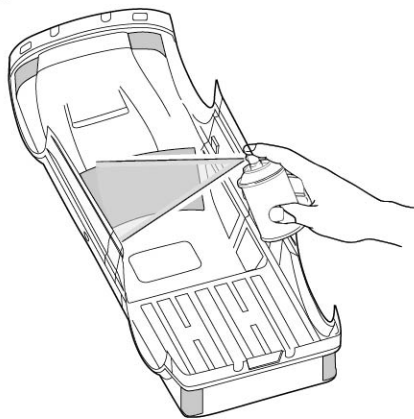
When loading LED lights

2 Mask the windows from the inside.

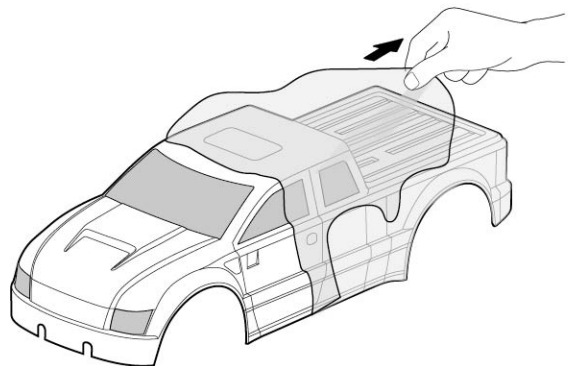
2 Mask the lights from the inside.



3 Paint the body shell from the inside.



4 After painting, remove the protective film from the body shell.



### 3 Decal

Non Decoration Body

When making the window transparent

When loading LED lights

► The decal numbers between brackets are only for the opposite side.

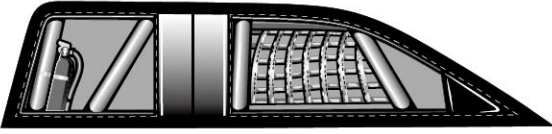
<Decal>

When making the window transparent



- ▶ ① ② ③ ④

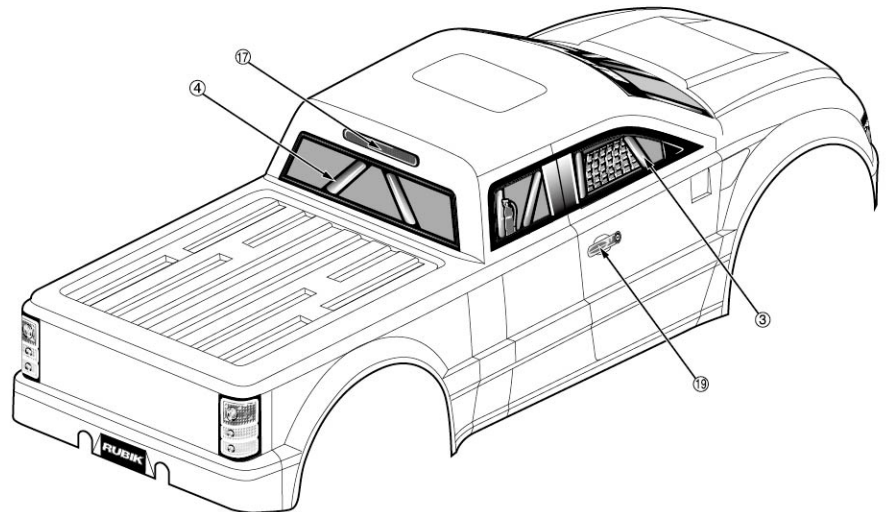
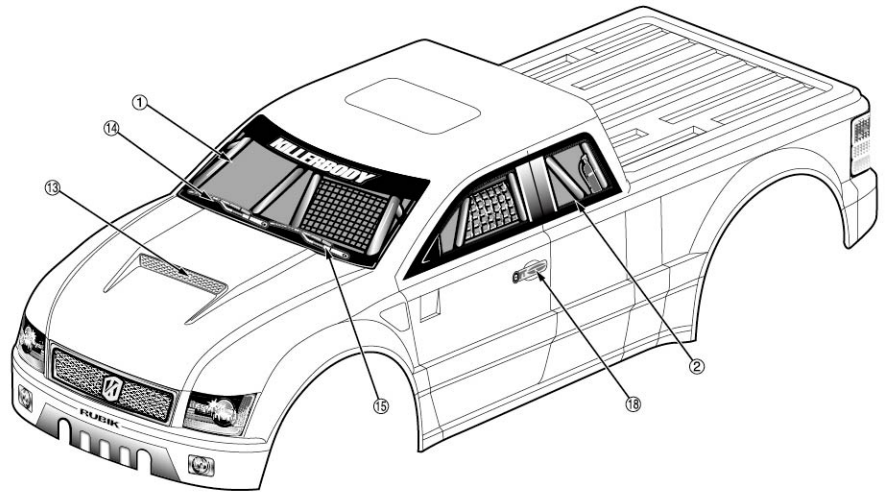
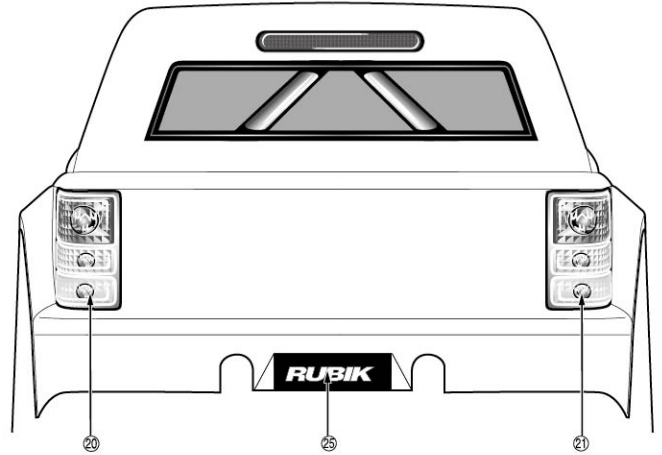
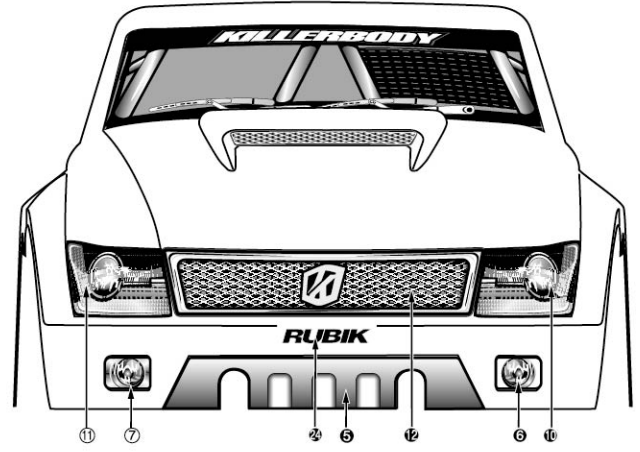
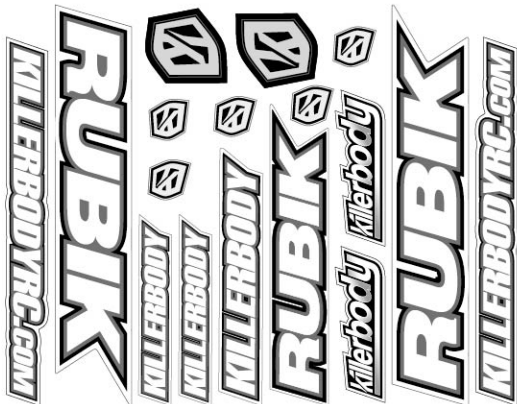
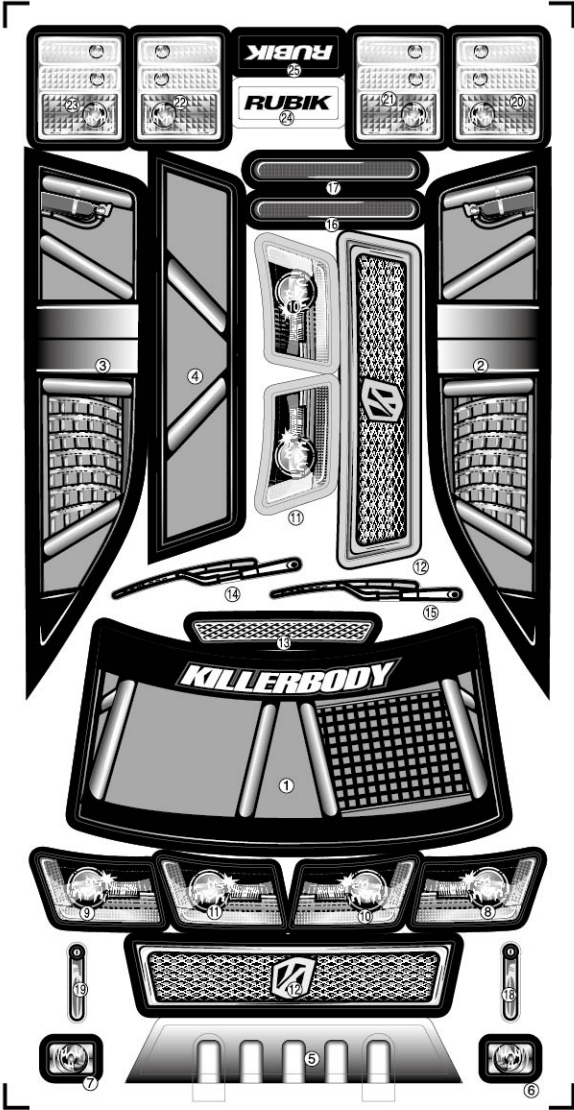
Cut the translucent (smoked color) part.



When reproducing the light by decal

▶ Change the decal according to the following contents.

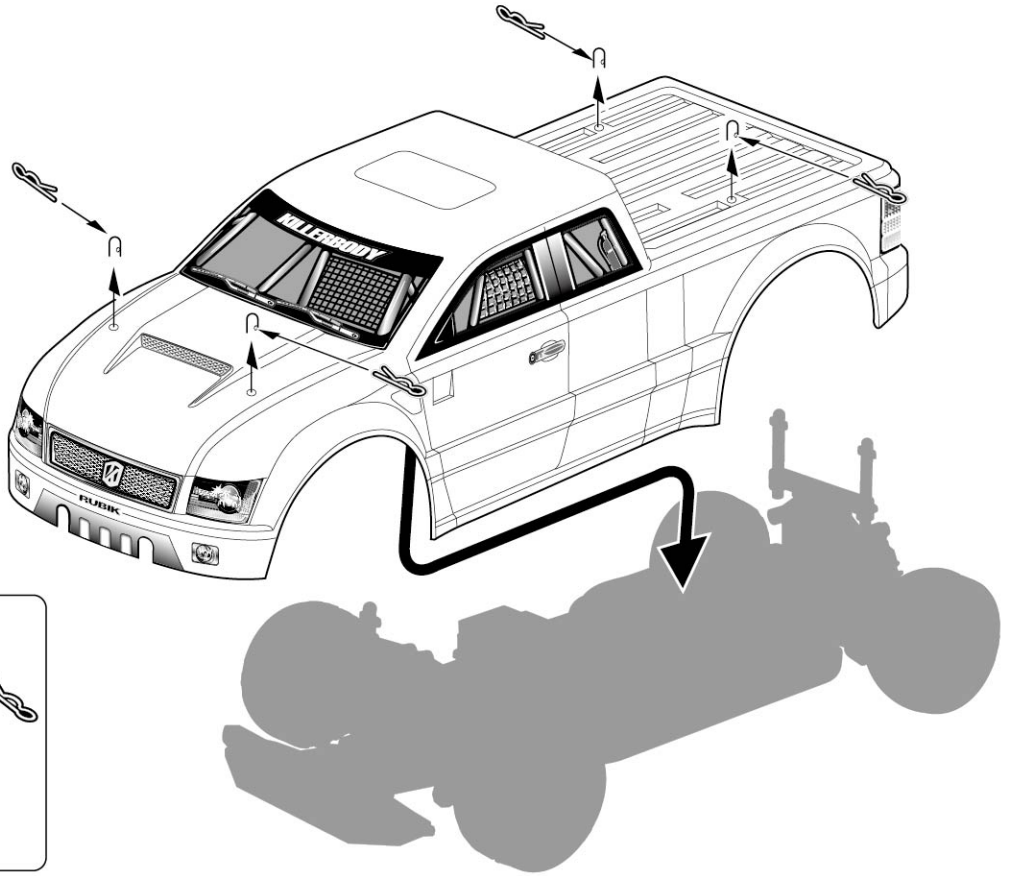
- ⑩ ⑪ → ⑧ ⑨      ⑲ ⑳ → ⑳ ㉓  
⑬ → ⑰



# 4 Body

Decoration Body	Non Decoration Body
When making the window transparent:	When loading LED lights

For safety reasons, always fit the body shell when running your car.



Use the extension body mount (sold separately) if the body mount height is not enough.

## Upgrade Parts

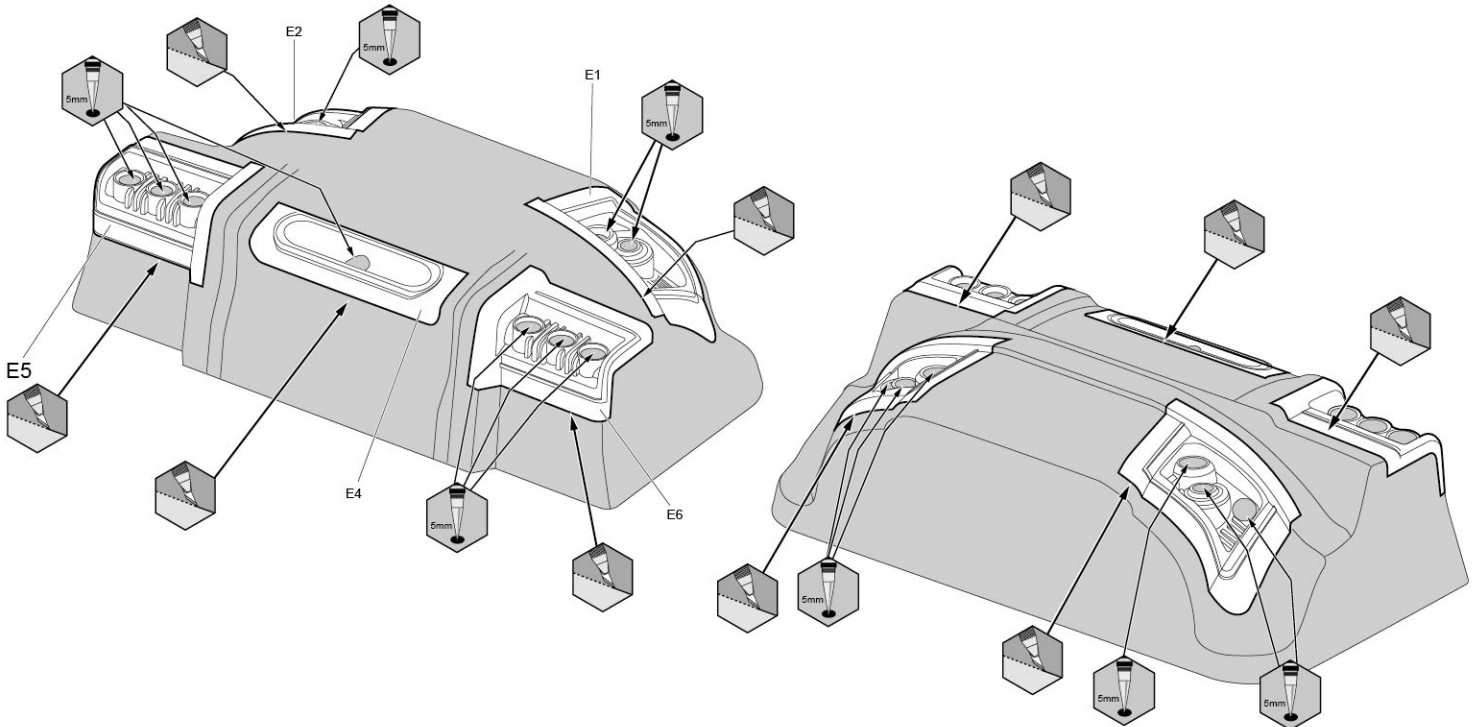
### Chromed Light Bucket

NO.48227

Decoration Body	Non Decoration Body
When making the window transparent:	When loading LED lights

<b>PARTS</b>	<b>PARTS BAG</b>
ELECTROPLATED PARTS ----- X1	DOUBLE-SIDED TAPE ----- X1

# 1 Cutting



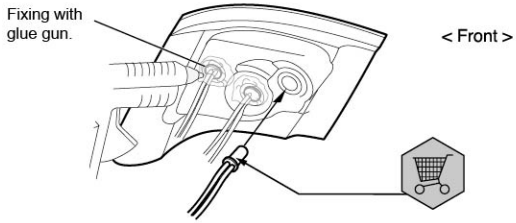
## 2 Plastic Parts

When loading LED lights



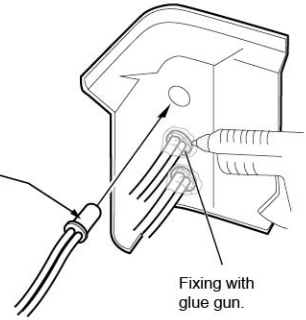
- Please tape the wiring, etc. on the body using the attached aluminum tape.
- Please put the attached aluminum tape on the top and bottom of the headlight and the taillights.

Fixing with glue gun.

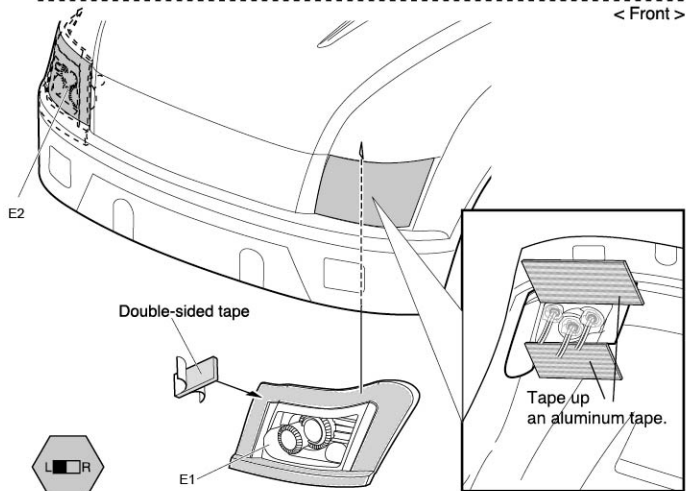


< Front >

< Rear >



Fixing with glue gun.



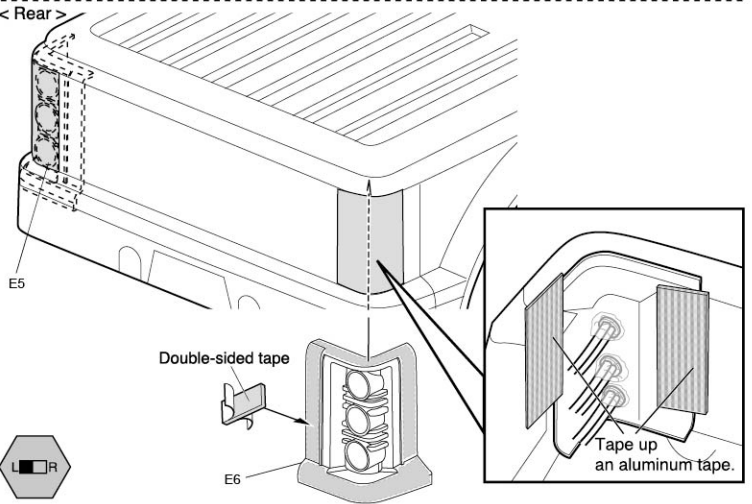
Double-sided tape

E1

Tape up an aluminum tape.

< Front >

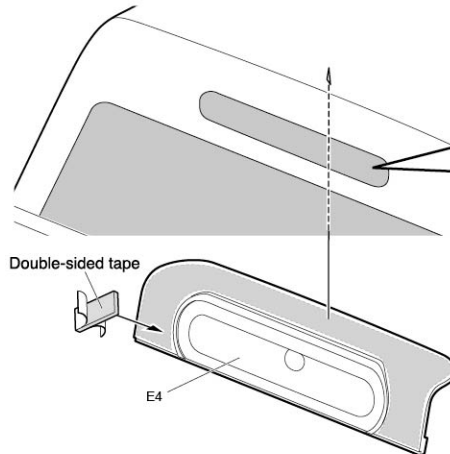
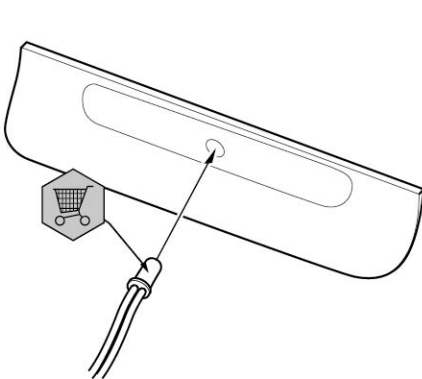
< Rear >



Double-sided tape

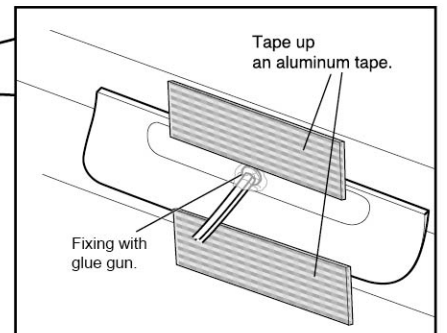
E6

Tape up an aluminum tape.



Double-sided tape

E4



Tape up an aluminum tape.

Fixing with glue gun.

## Modified Hood & Front Fender Set

NO.48220

Decoration Body

Non Decoration Body

When making the window transparent:

When loading LED lights

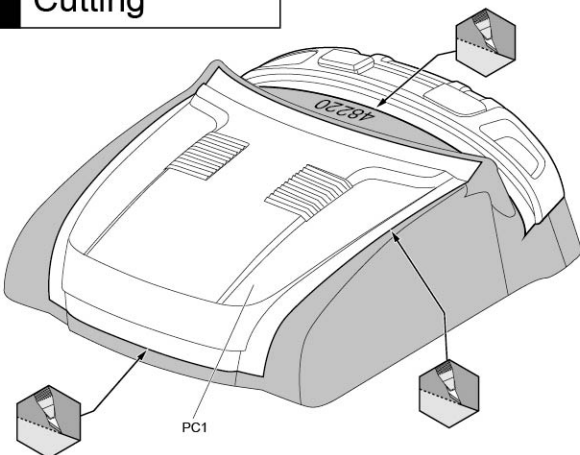
### PARTS

PC PARTS ----- X1  
DECAL SHEET ----- X1

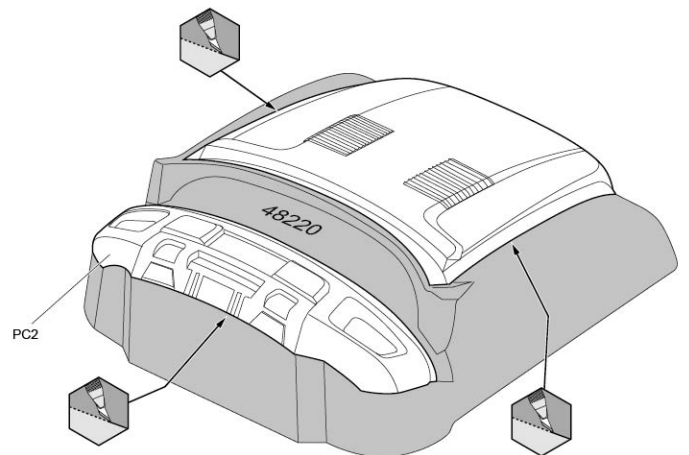
PARTS BAG

DOUBLE-SIDED TAPE ----- X1

## 1 Cutting



PC1

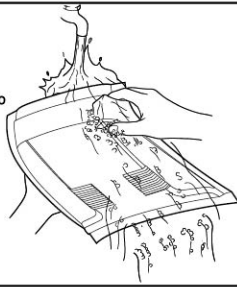


PC2

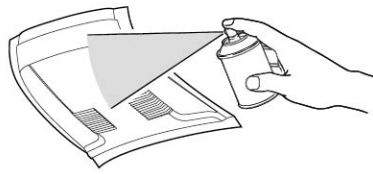
## 2 Painting

PC1 PC2

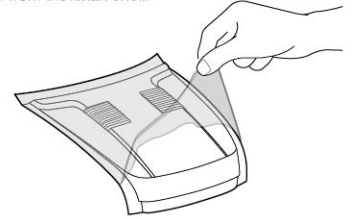
- Before painting, use a neutral detergent to remove any oil residues and dirt.



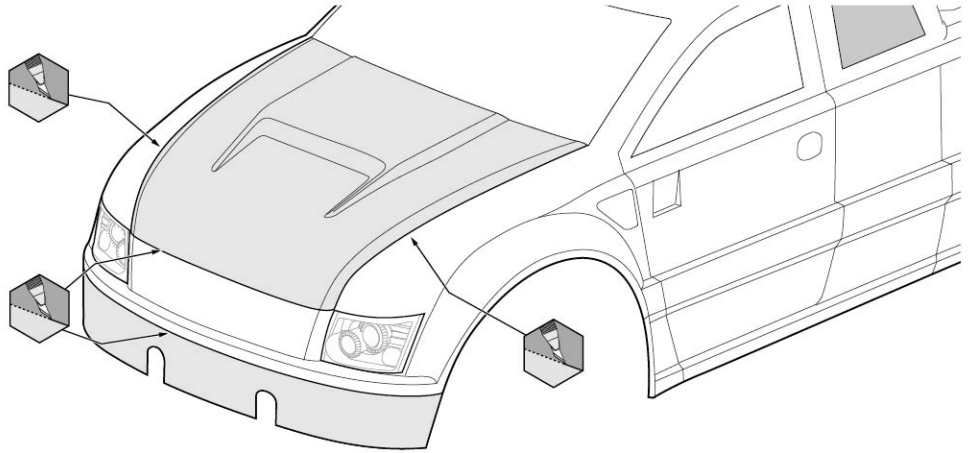
- Paint the lexan shell from the inside.



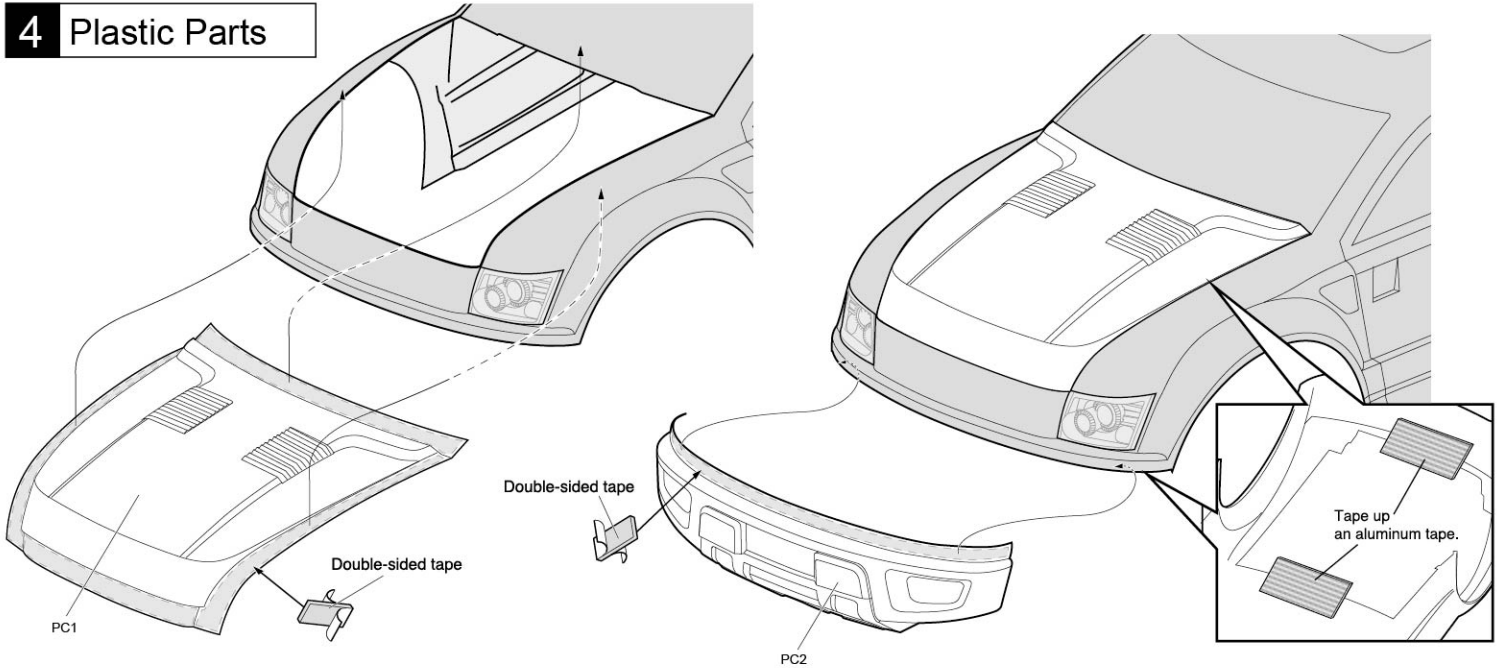
- After painting, remove the protective film from the lexan shell.



## 3 Cut the Car Body



## 4 Plastic Parts



## 5 Decal

Non Decoration Body

When making the window transparent

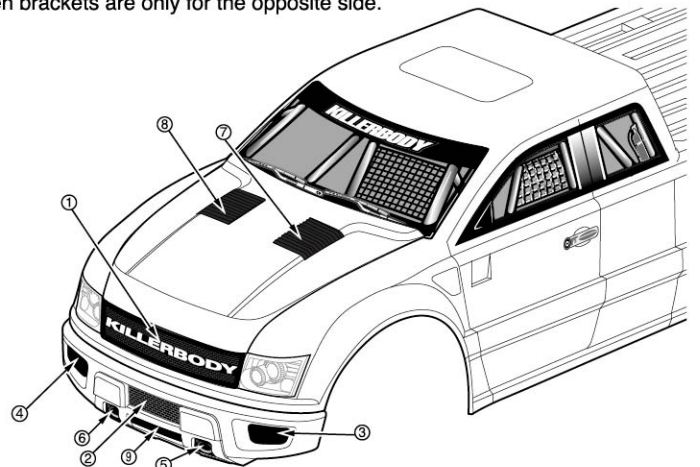
When loading LED lights

► The decal numbers between brackets are only for the opposite side.



10 — 11

The logo decal is optional to stick on.



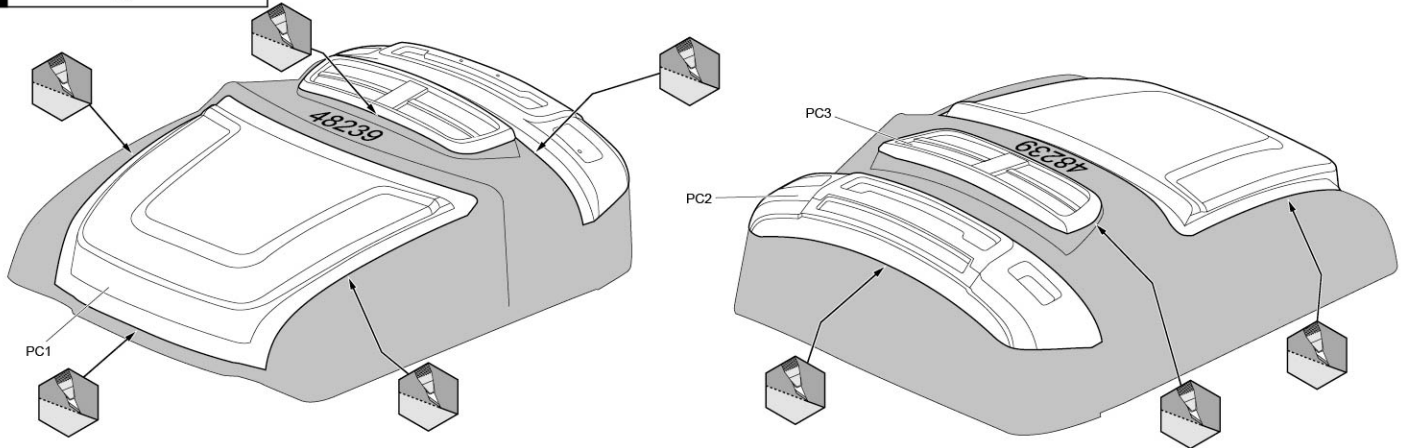
**Modified Hood & Front Fender Set**

Decoration Body	Non Decoration Body
When making the window transparent:	When loading LED lights

NO.48239

<b>PARTS</b>		<b>PARTS BAG</b>	
PC PARTS-----	X1	DOUBLE-SIDED TAPE -----	X1
DECAL SHEET-----	X1		

**1 Cutting**



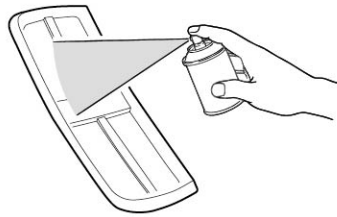
**2 Painting**

PC1 PC2 PC3

**1** Before painting, use a neutral detergent to remove any oil residues and dirt.



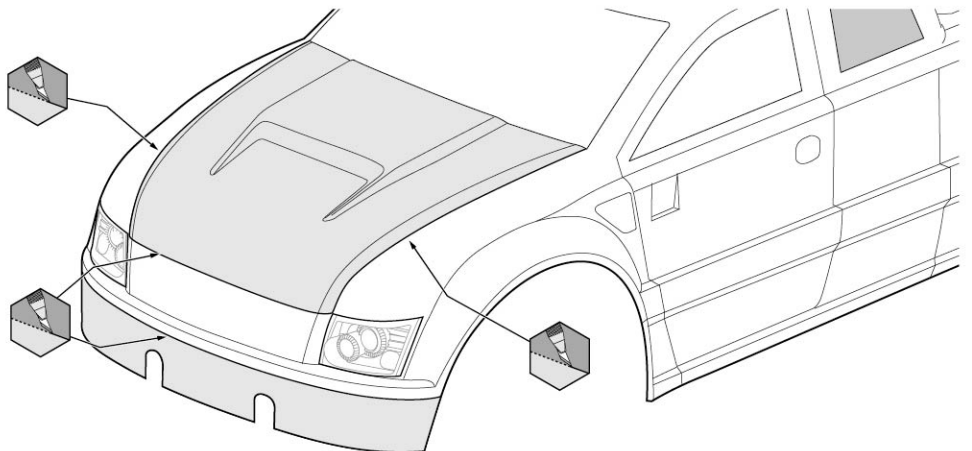
**2** Paint the lexan shell from the inside.



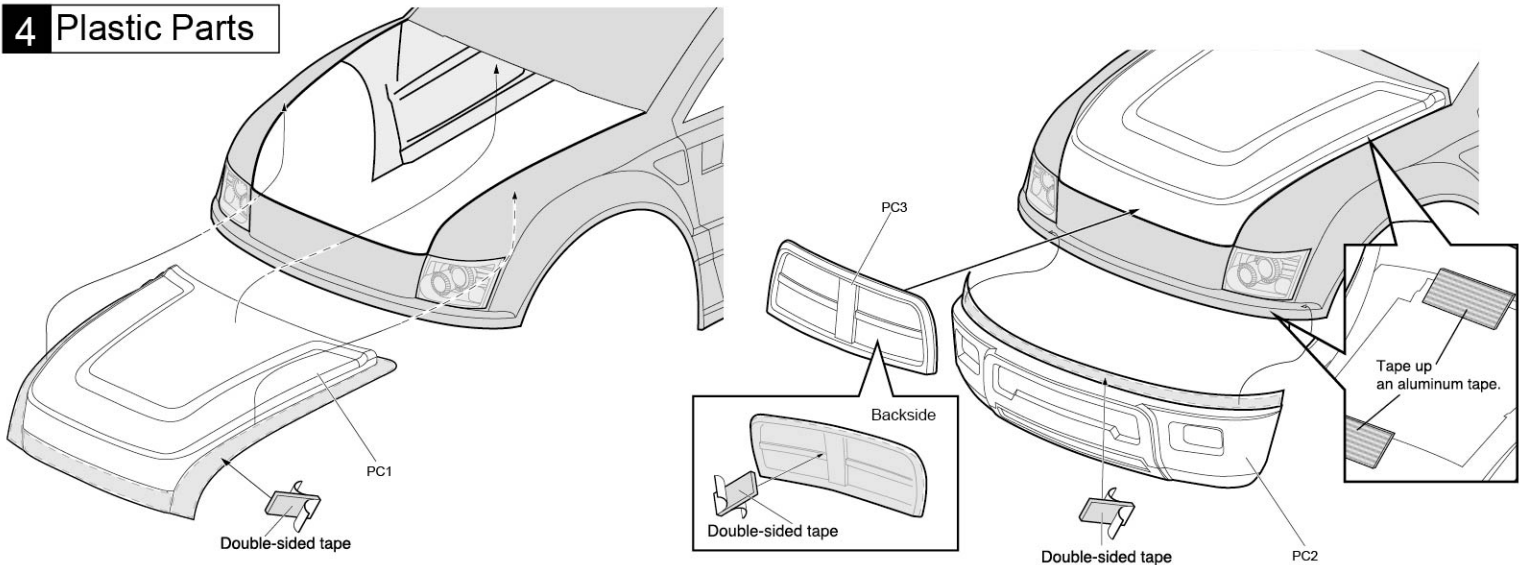
**3** After painting, remove the protective film from the lexan shell.



**3 Cut the Car Body**



**4 Plastic Parts**





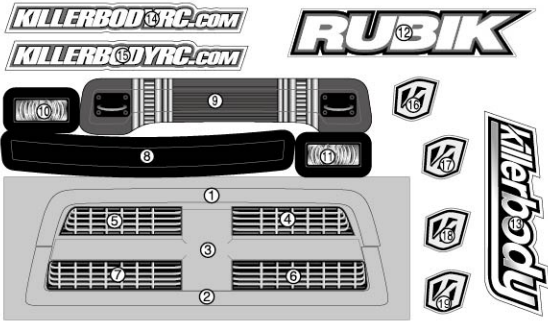
# 5 Decal

Non Decoration Body

When making the window transparent

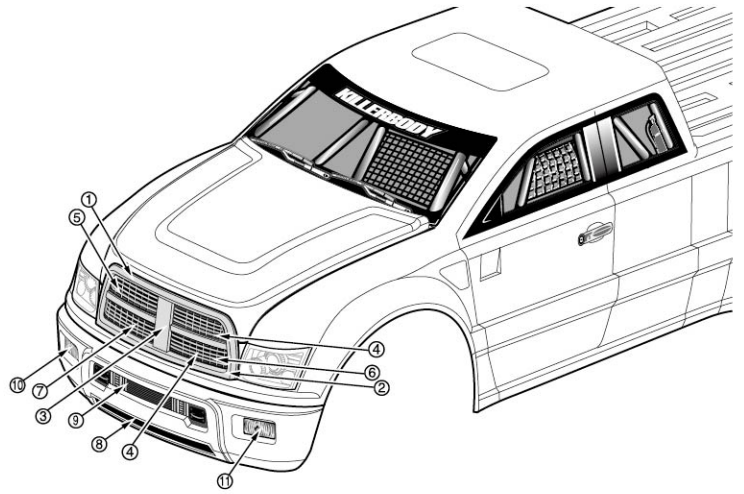
When loading LED lights

► The decal numbers between brackets are only for the opposite side.



12 — 19

The logo decal is optional to stick on.



# Modified Hood & Front Fender Set

NO.48221

Decoration Body

Non Decoration Body

When making the window transparent:

When loading LED lights

## PARTS

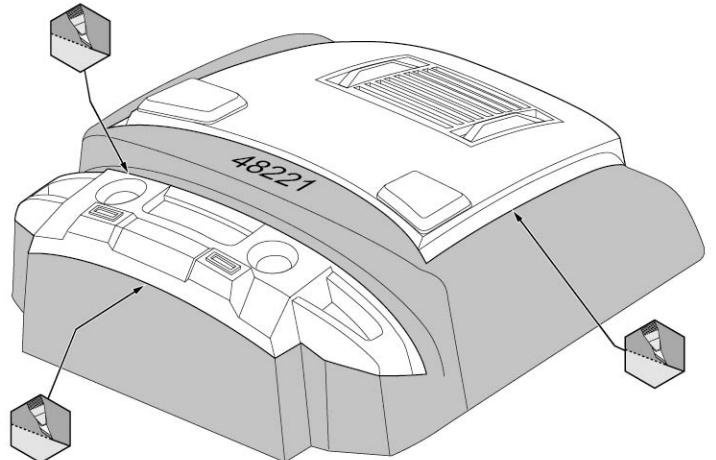
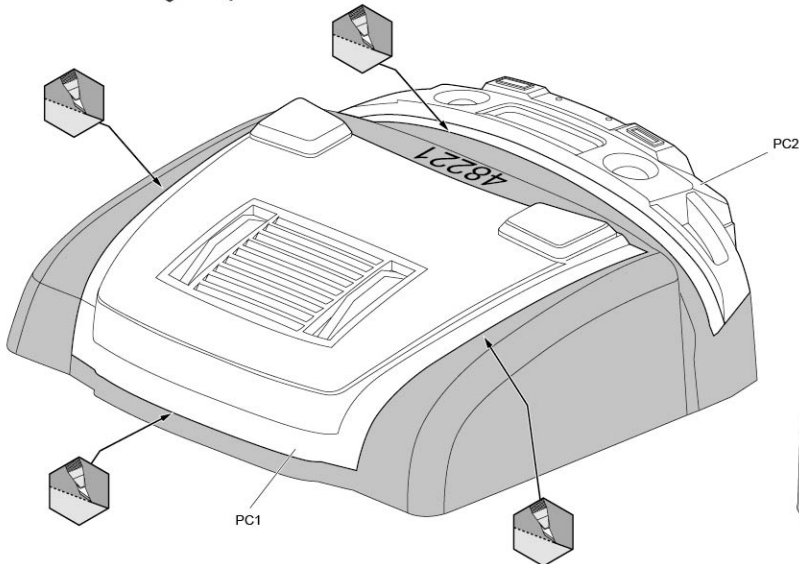
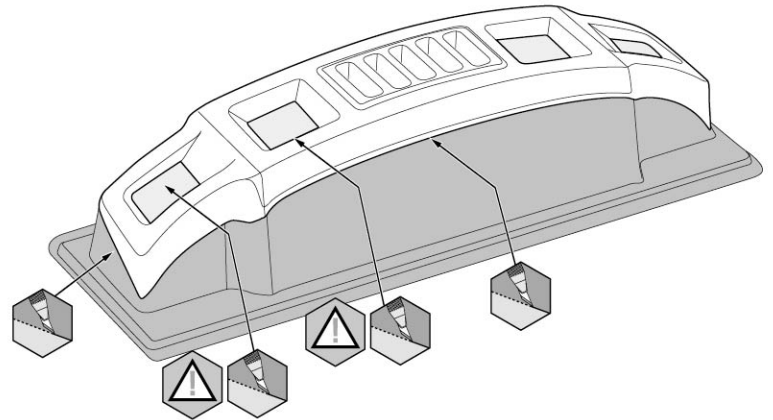
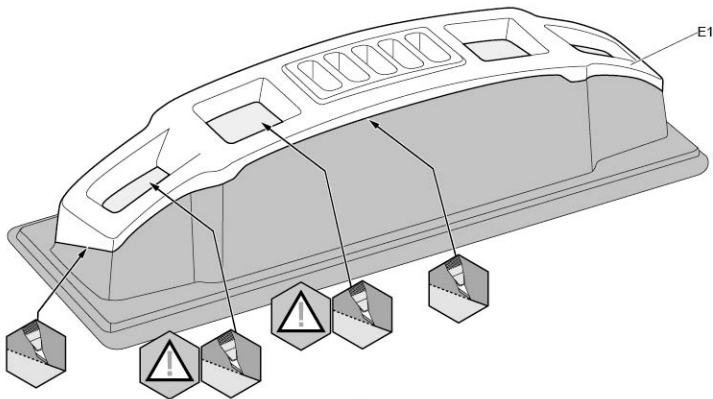
PC PARTS ----- X1  
ELECTROPLATED PARTS ----- X1

DECAL SHEET----- X1  
PARTS BAG  
DOUBLE-SIDED TAPE ----- X1

# 1 Cutting



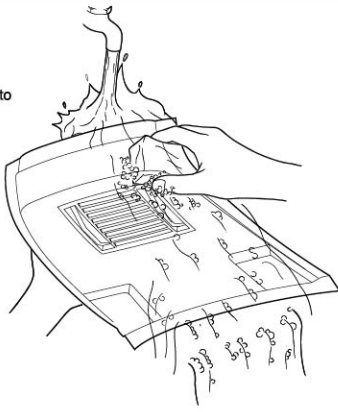
No need to drill holes unless you would like to install the LED lights.



## 2 Painting

PC1 PC2

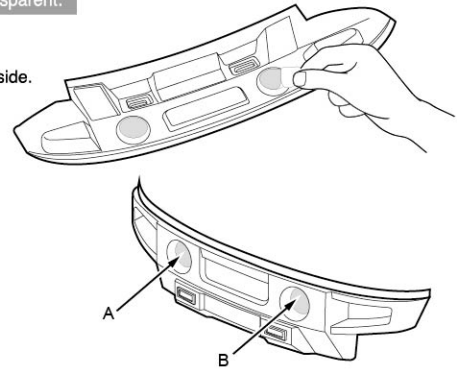
- 1 Before painting, use a neutral detergent to remove any oil residues and dirt.



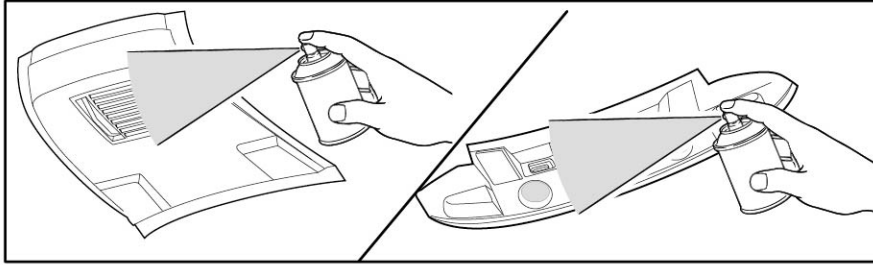
When making the window transparent:

When loading LED lights

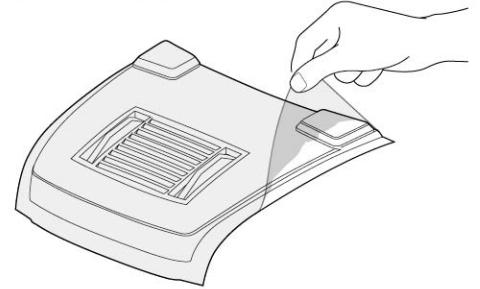
- 2 Mask the lights from the inside.



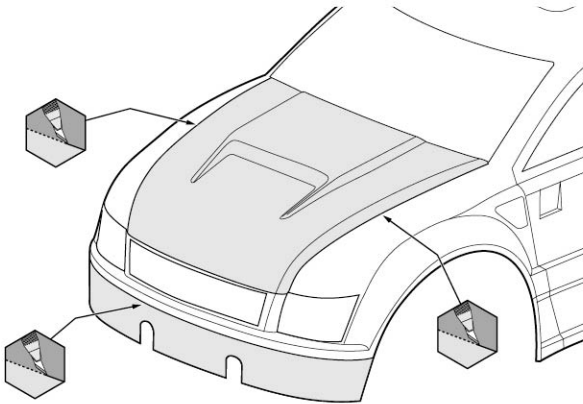
- 3 Paint the lexan shell from the inside.



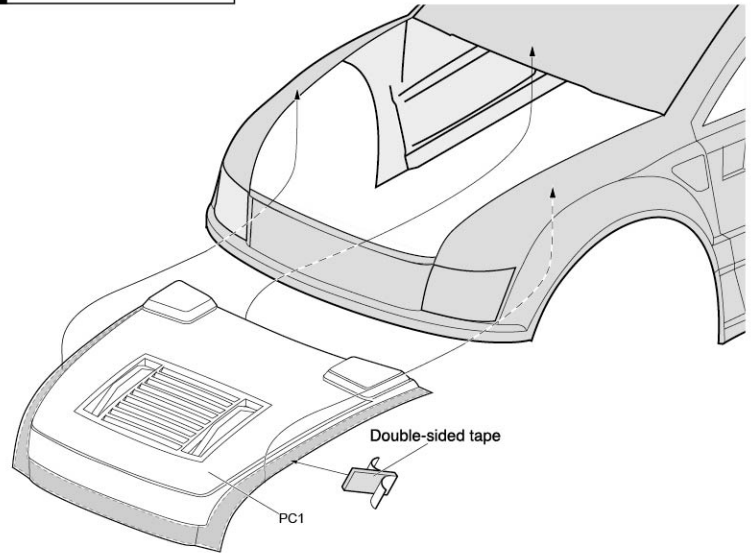
- 4 After painting, remove the protective film from the lexan shell.



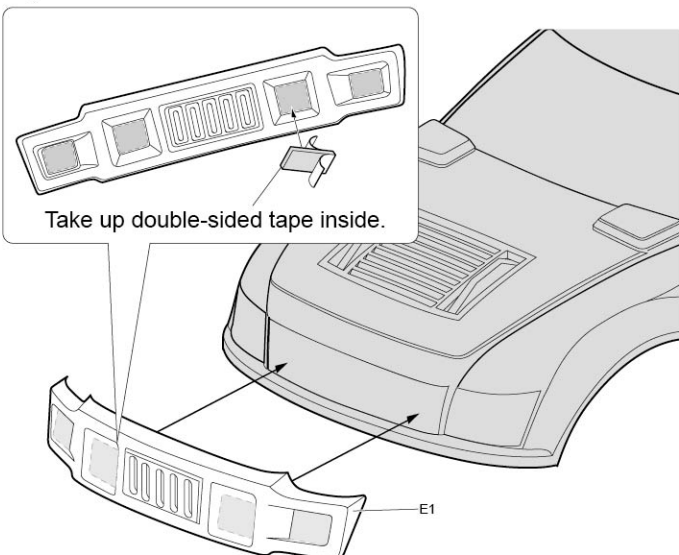
## 3 Cut the Car Body



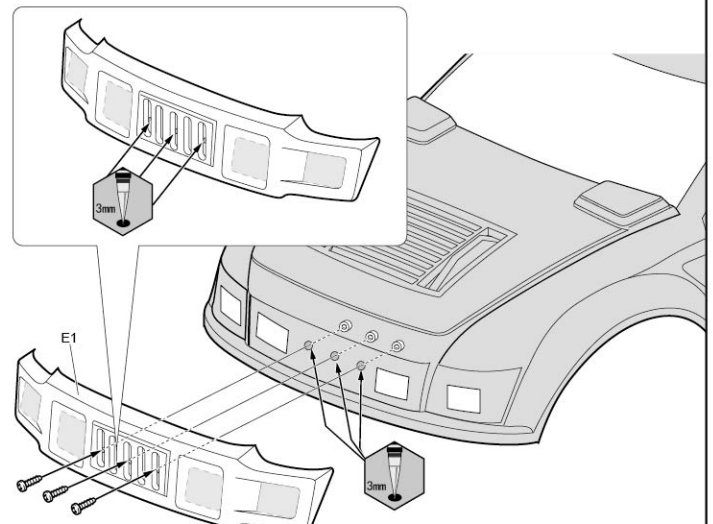
## 4 Plastic Parts

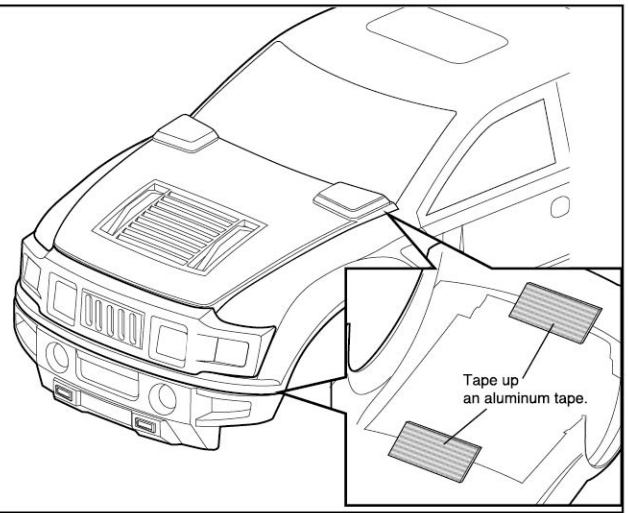
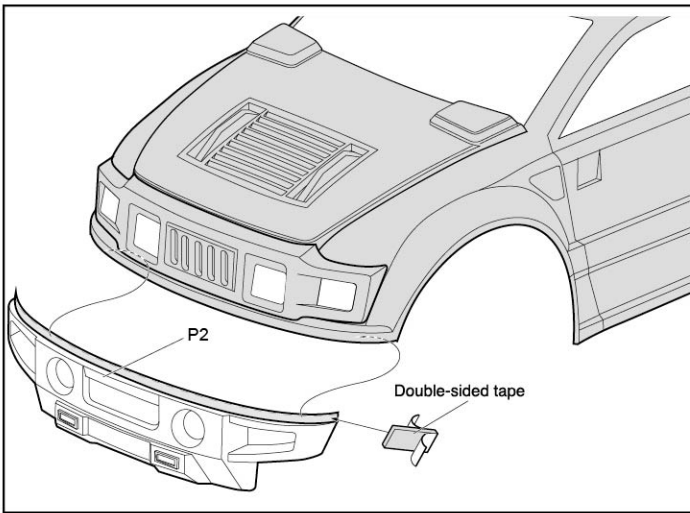


Installation method for bumper if needn't install LED light.



Installation method for bumper if need to install LED light.





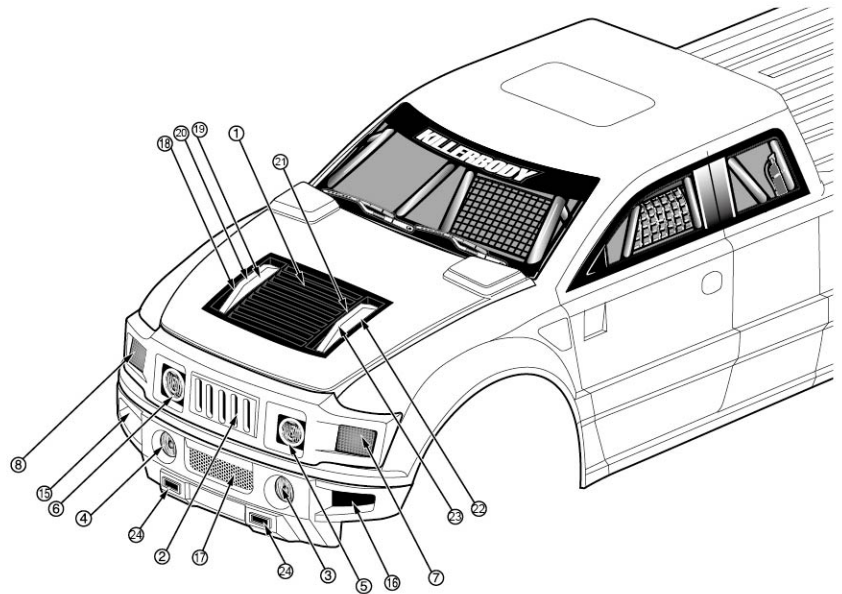
## 5 Decal

Non Decoration Body

When making the window transparent

When loading LED lights

► The decal numbers between brackets are only for the opposite side.



When reproducing the light by decal

► Change the decal according to the following contents.

③ ④ → ⑨ ⑩    ⑦ ⑧ → ⑬ ⑭  
 ⑤ ⑥ → ⑪ ⑫    ⑳ → ㉑

㉒ → ㉓

The logo decal is optional to stick on.

## Chromed Light Bucket

NO.48225

Decoration Body

Non Decoration Body

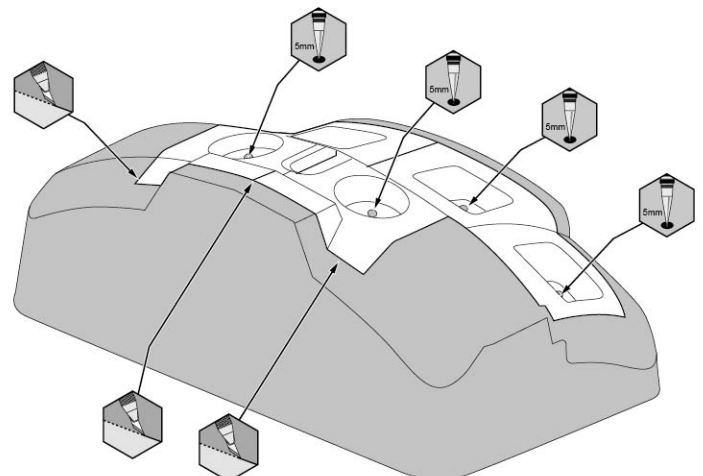
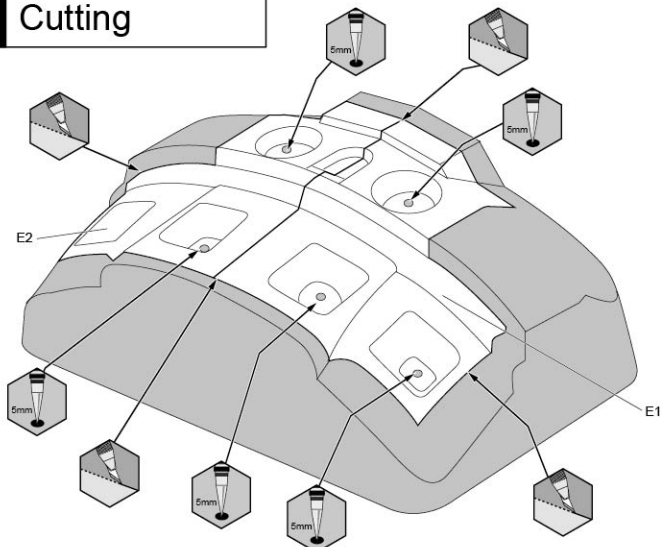
When making the window transparent:

When loading LED lights

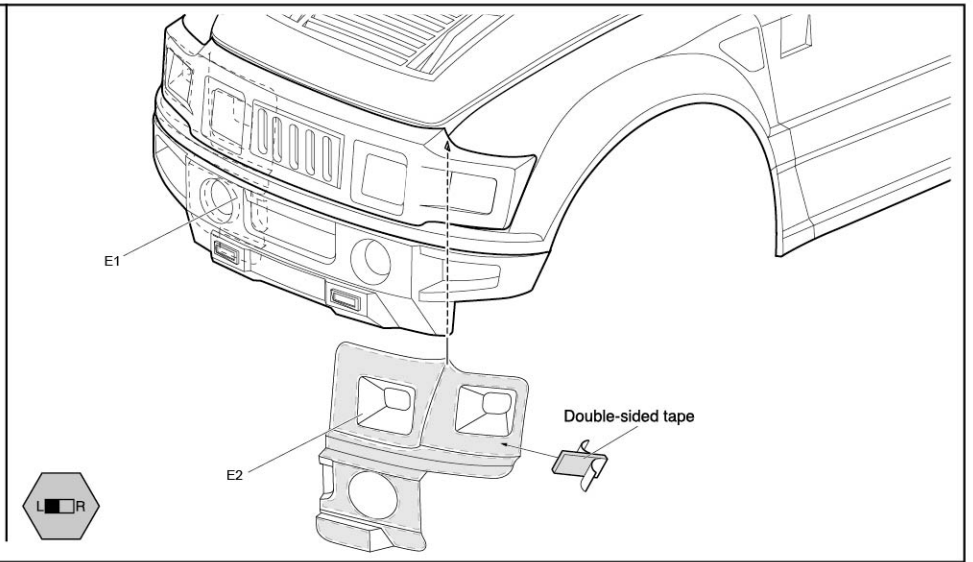
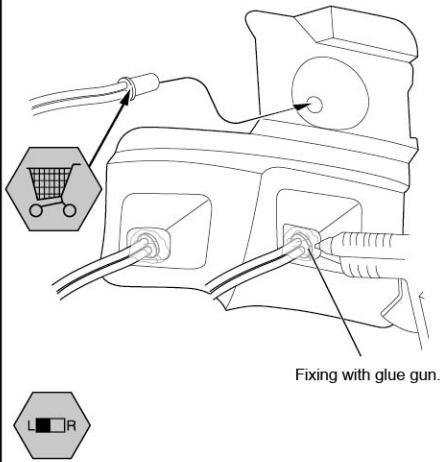
### PARTS

ELECTROPLATED PARTS ----- X1  
 DOUBLE-SIDED TAPE ----- X1

## 1 Cutting



## 2 Plastic Parts

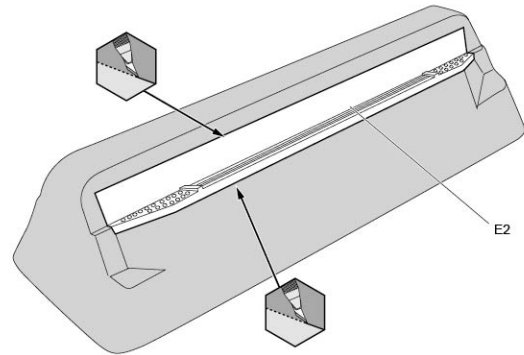
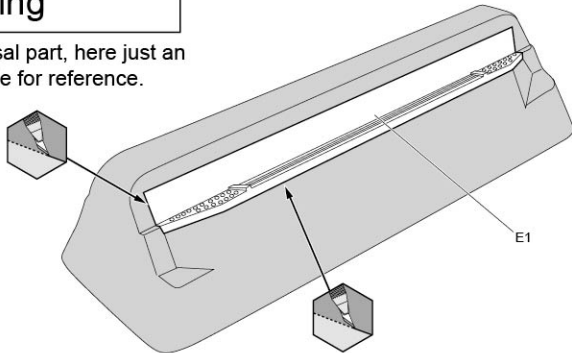


## Shopping Cart Icon Chromed Pedal

NO.48222

### 1 Cutting

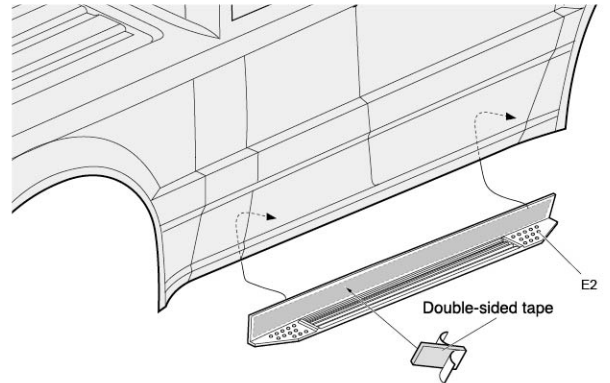
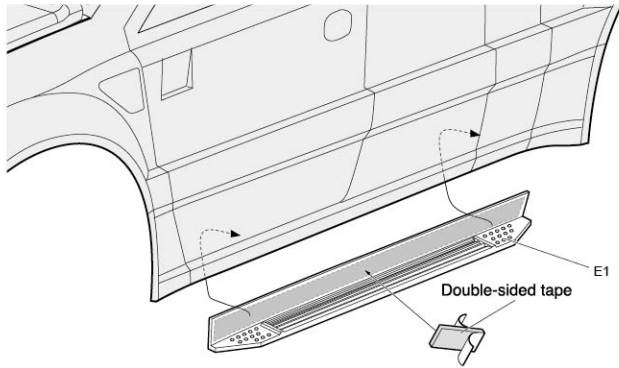
Universal part, here just an example for reference.



Decoration Body	Non Decoration Body
When making the window transparent:	When loading LED lights

<b>PARTS</b>	ELECTROPLATED PARTS -----	X1
	DOUBLE-SIDED TAPE -----	X1

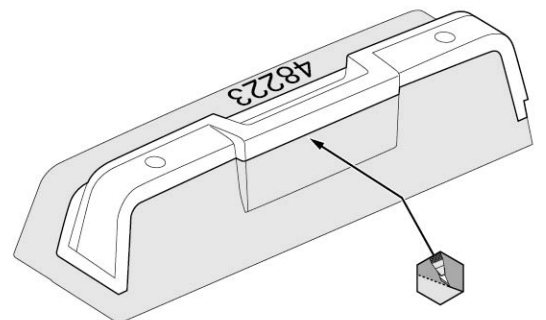
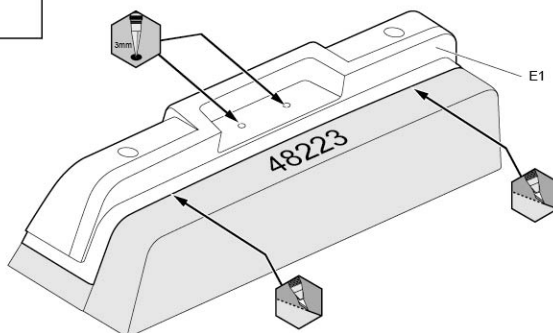
## 2 Plastic Parts



## Shopping Cart Icon Chromed Rear Bumper

NO.48223

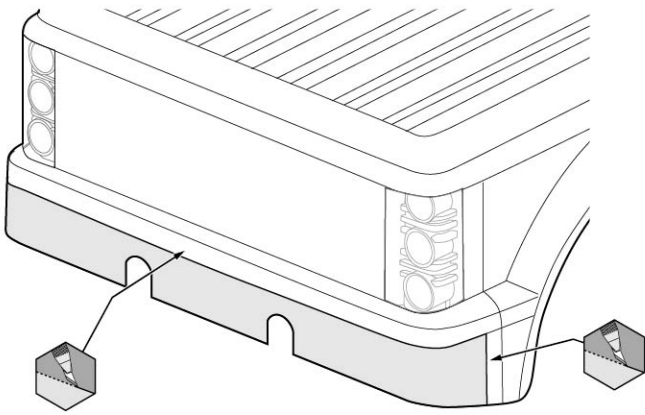
### 1 Cutting



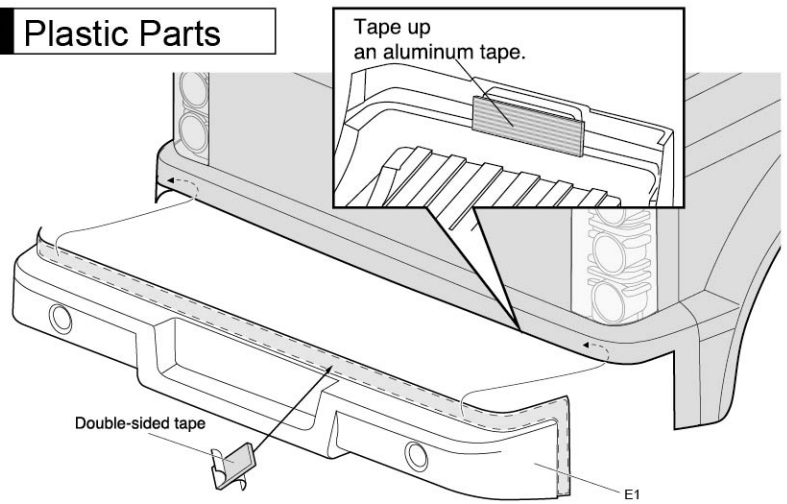
Decoration Body	Non Decoration Body
When making the window transparent:	When loading LED lights

<b>PARTS</b>	ELECTROPLATED PARTS -----	X1
	DOUBLE-SIDED TAPE -----	X1

## 2 Cut the Car Body



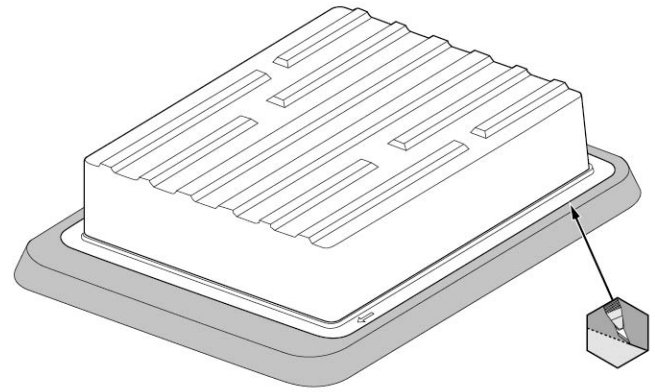
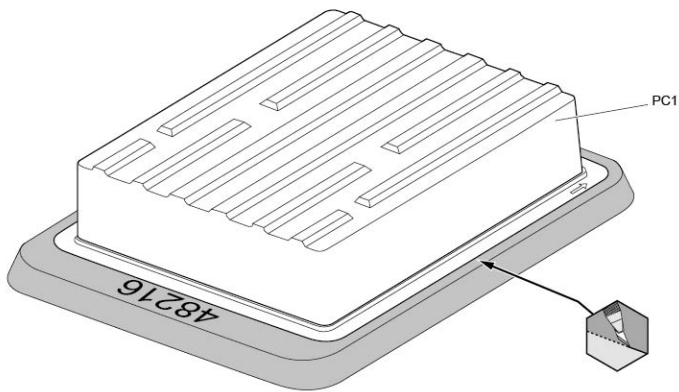
## 3 Plastic Parts



## Modified Truck Bed

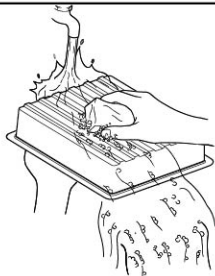
NO.48216

Decoration Body	Non Decoration Body
When making the window transparent:	When loading LED lights
<b>PARTS</b>	PC PARTS ----- X1
	DOUBLE-SIDED TAPE ----- X1

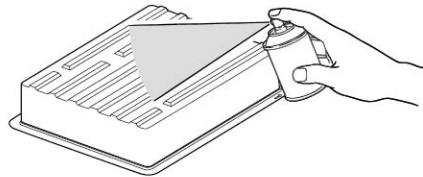


## 2 Painting

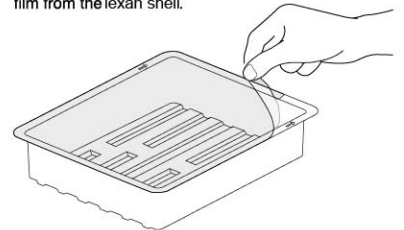
- 1 Before painting, use a neutral detergent to remove any oil residues and dirt.



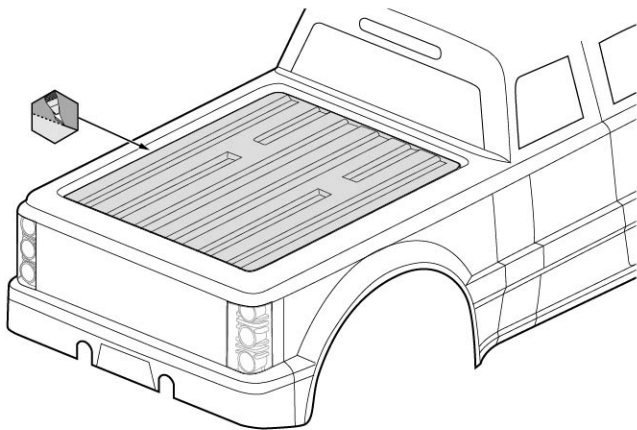
- 2 Paint the lexan shell from the inside.



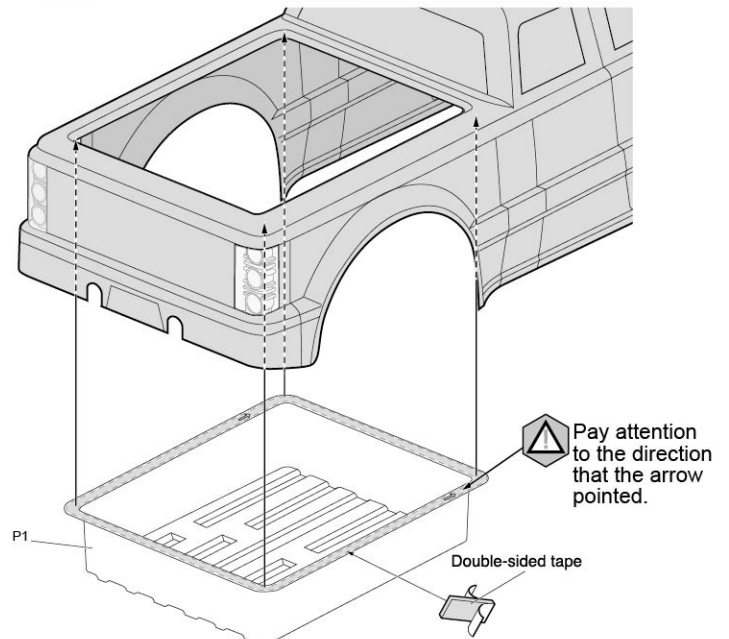
- 3 After painting, remove the protective film from the lexan shell.



## 3 Cut the Car Body



## 2 Plastic Parts



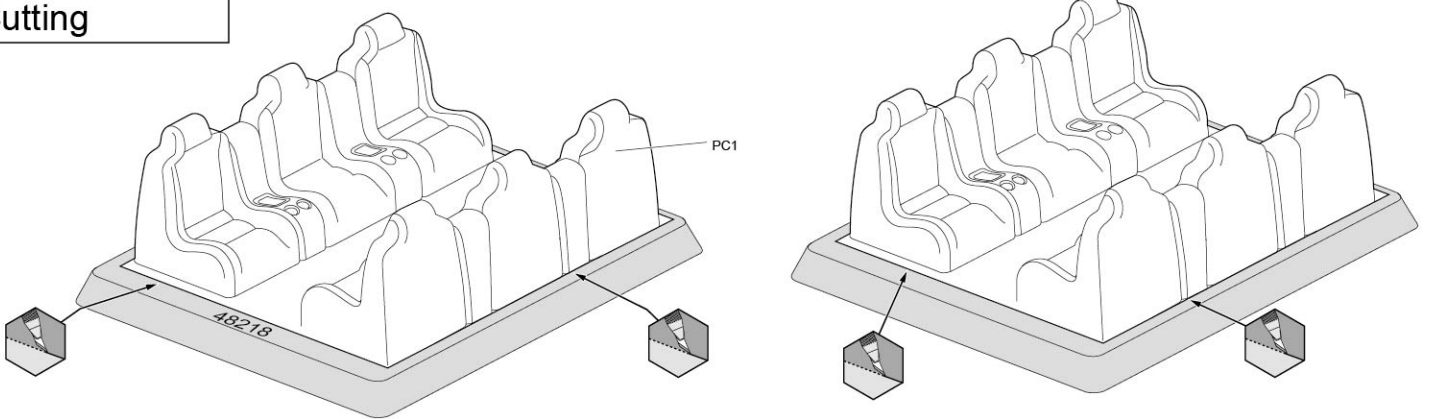
# Modified Seat for Truck Bed

NO.48218

Decoration Body	Non Decoration Body
When making the window transparent:	When loading LED lights

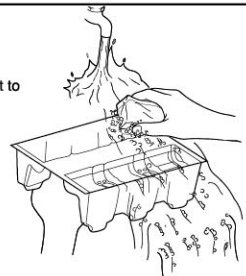
<b>PARTS</b>	PC PARTS	----- X1
	DOUBLE-SIDED TAPE	----- X1

## 1 Cutting

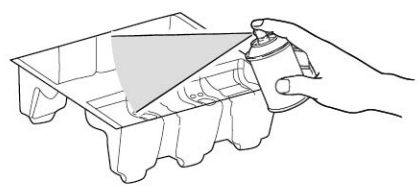


## 2 Painting

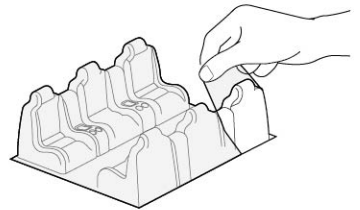
1 Before painting, use a neutral detergent to remove any oil residues and dirt.



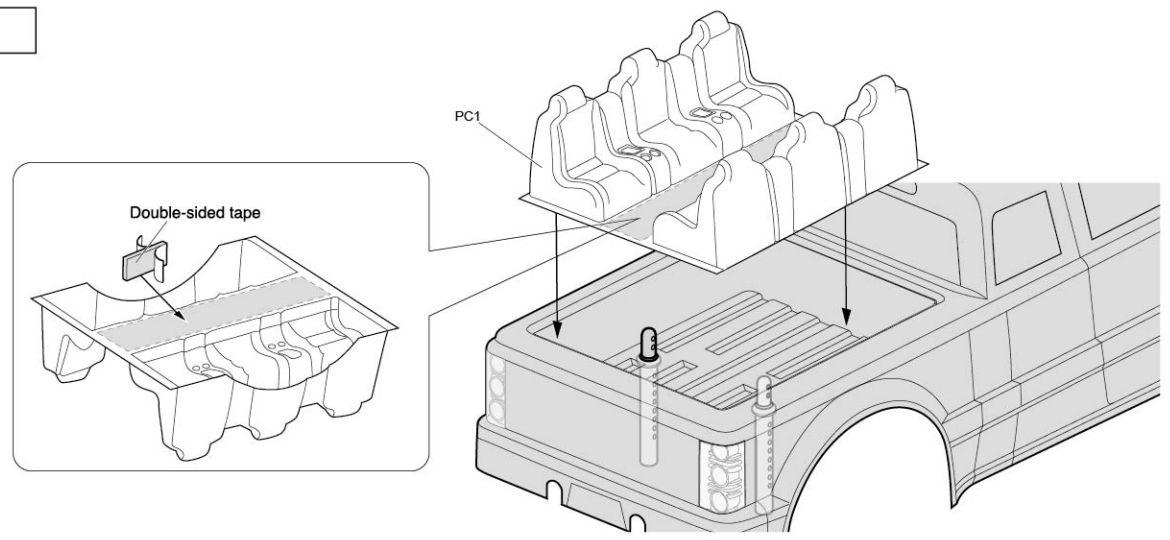
2 Paint the lexan shell from the inside.



3 After painting, remove the protective film from the lexan shell.



## 3 Plastic Parts



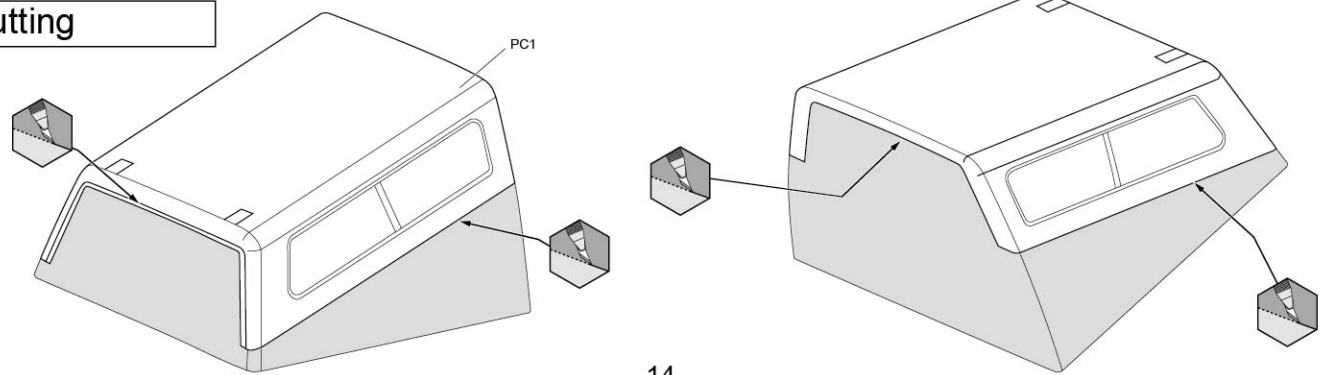
# Modified Truck Topper Set

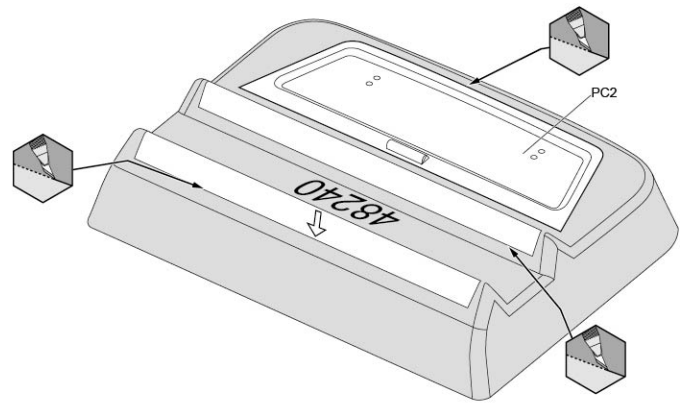
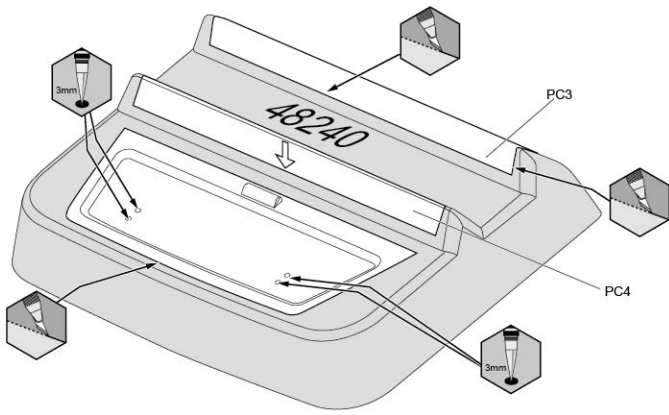
NO.48240

Decoration Body	Non Decoration Body
When making the window transparent:	When loading LED lights

<b>PARTS</b>		<b>PLASTIC PARTS</b>			
PC PARTS	----- X1	P1	P2	P3	P4
WINDOW MASKS	----- X1				
<b>PARTS BAG</b>		X1	X1	X1	X1
PLASTIC PARTS	----- X4				
TAPPING SCREW	----- X14				
DOUBLE-SIDED TAPE	----- X1				

## 1 Cutting

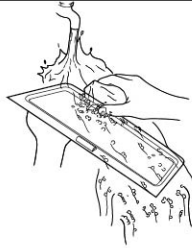




## 2 Painting

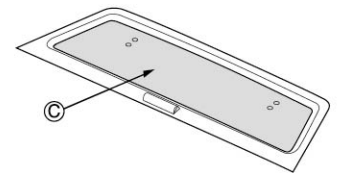
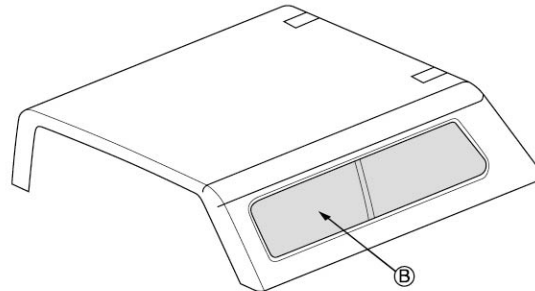
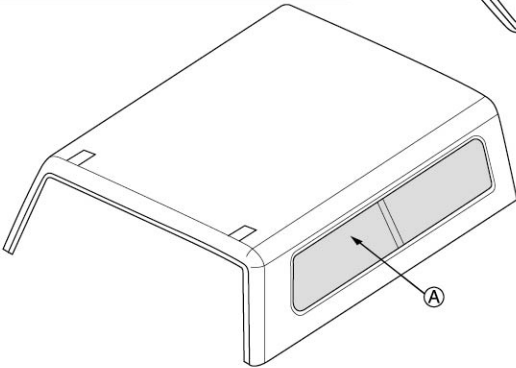
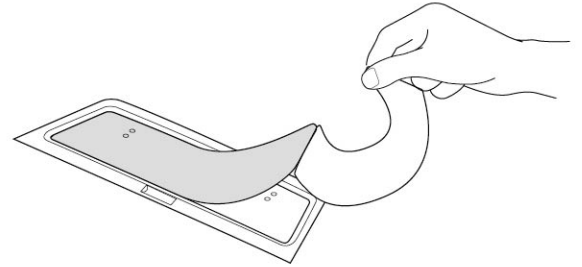
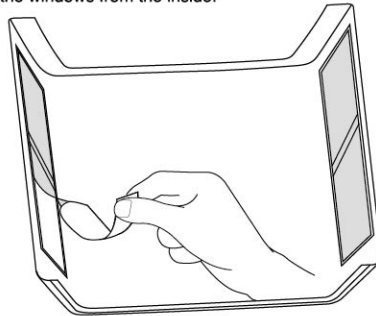
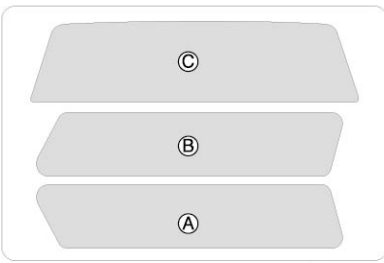
PC1 PC2 PC3 PC4

- Before painting, use a neutral detergent to remove any oil residues and dirt.

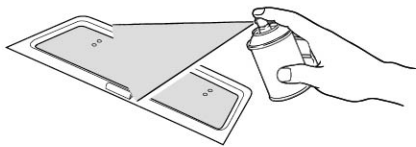


When making the window transparent:

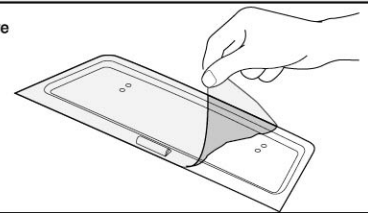
- Mask the windows from the inside.



- Paint the lexan shell from the inside.

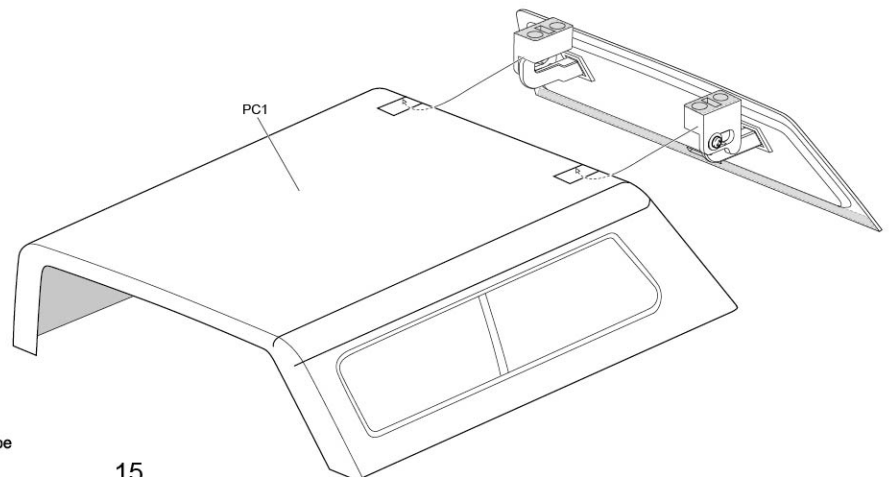
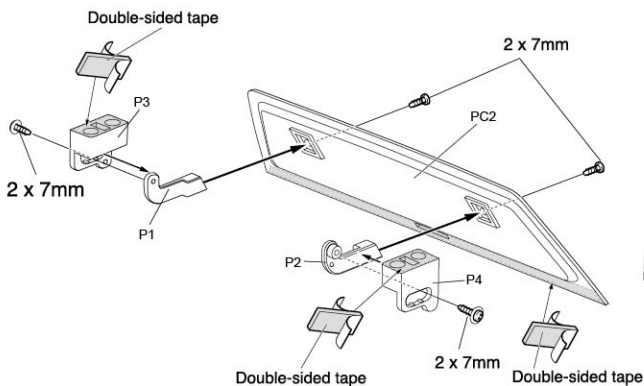


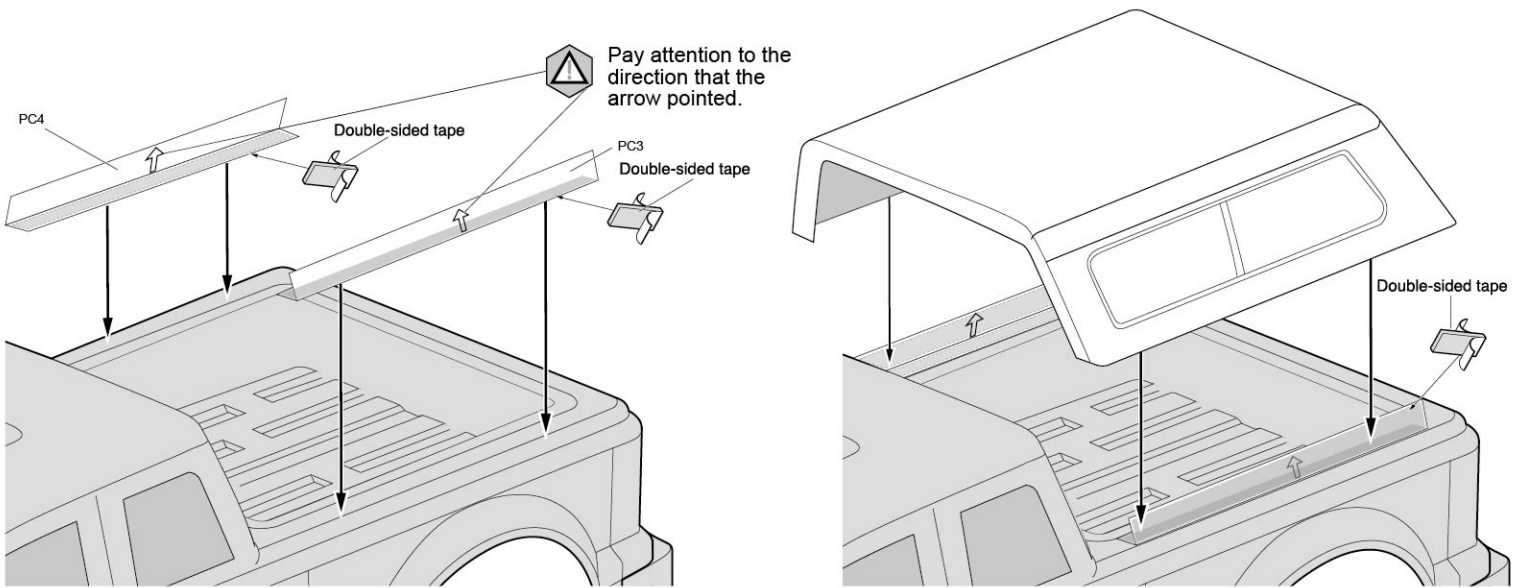
- After painting, remove the protective film from the lexan shell.



## 3 Plastic Parts

2 x 7mm F/H TP Screw



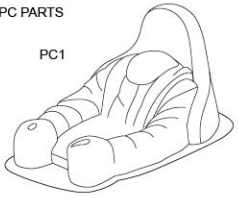
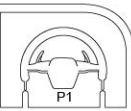


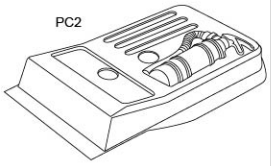









 **Cockpit Set**

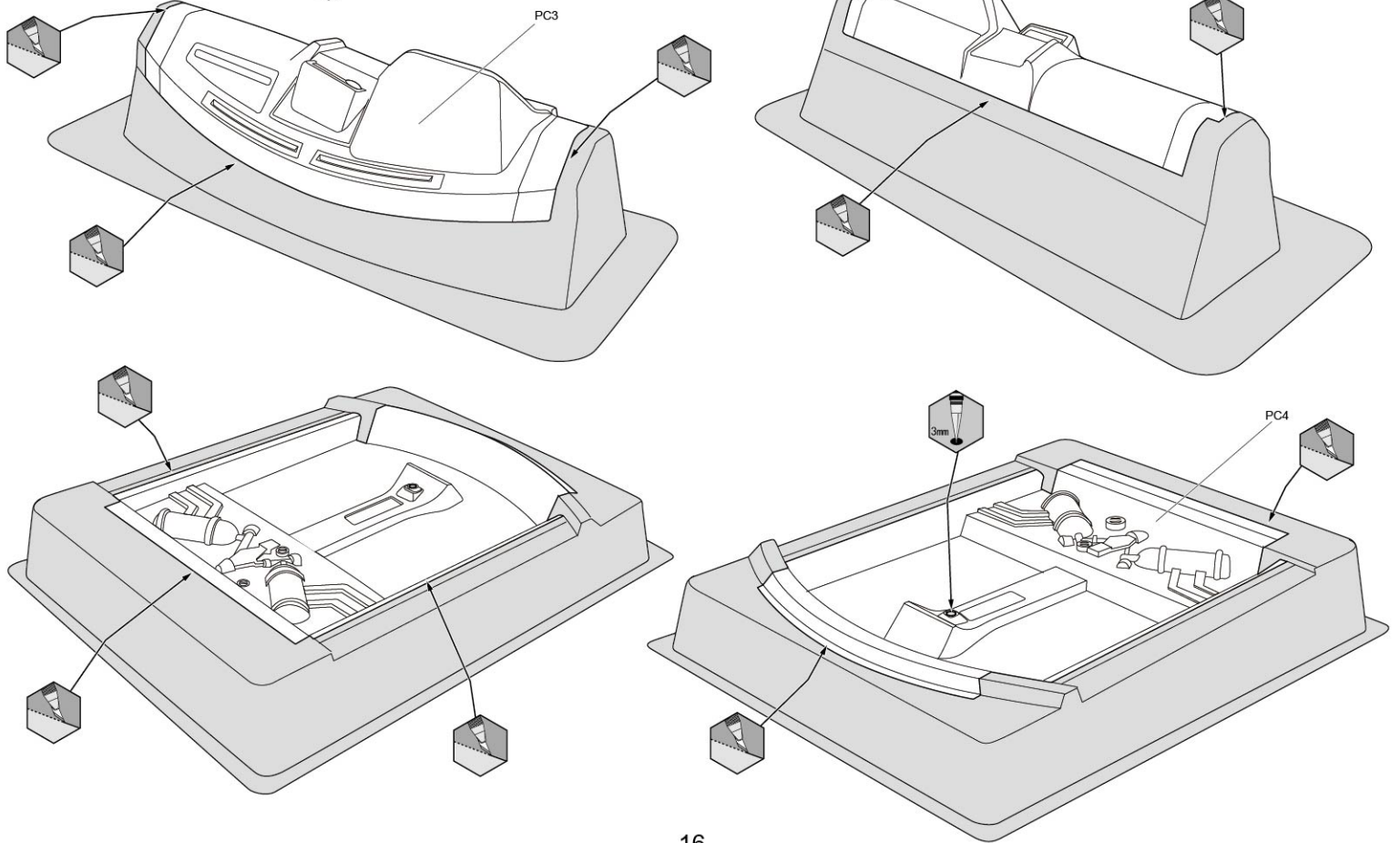
Decoration Body	Non Decoration Body
When making the window transparent:	When loading LED lights

NO.48224

PARTS		PLASTIC PARTS		PC PARTS	
PLASTIC PARTS	----- X1				
PC PARTS	----- X4				
DECAL SHEET	----- X1				
<b>PARTS BAG</b>	----- X1				
PLASTIC PARTS	----- X1				
DOUBLE-SIDED TAPE	----- X1				
 TAPPING SCREW	----- X2				

**1 Cutting**

 This cutted size just for reference, you can cut it according to the actual size.

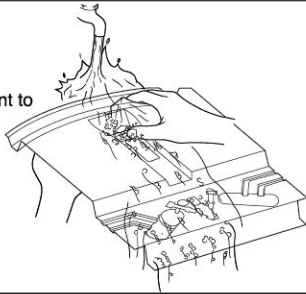




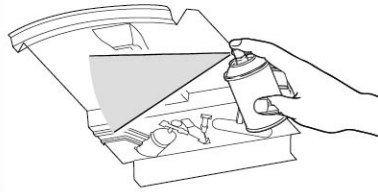
## 2 Painting

PC1 PC2 PC3 PC4

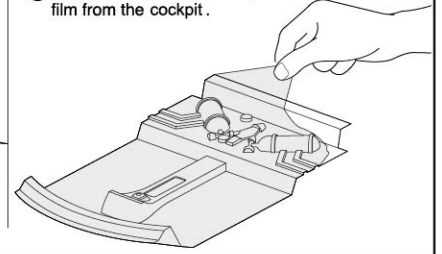
- 1 Before painting, use a neutral detergent to remove any oil residues and dirt.



- 2 Paint the cockpit from the inside.

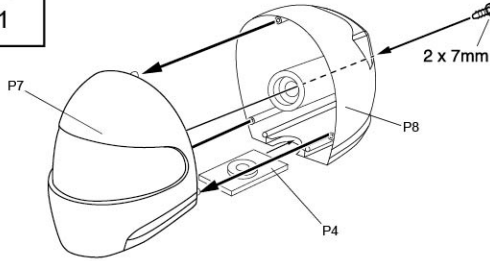
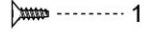


- 3 After painting, remove the protective film from the cockpit.

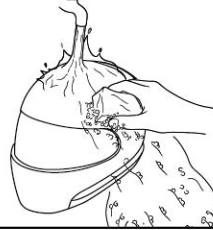


## 3 Plastic Parts

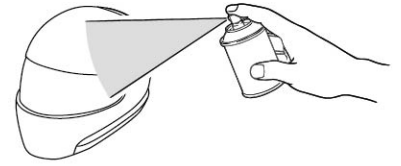
2 x 7mm F/H TP Screw



- 1 Before painting, use a neutral detergent to remove any oil residues and dirt.



- 2 Paint the helmet from the outside using spray colors.



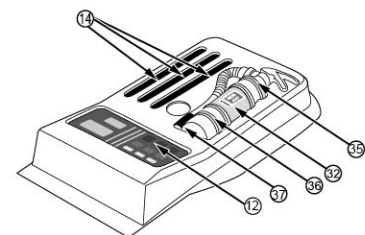
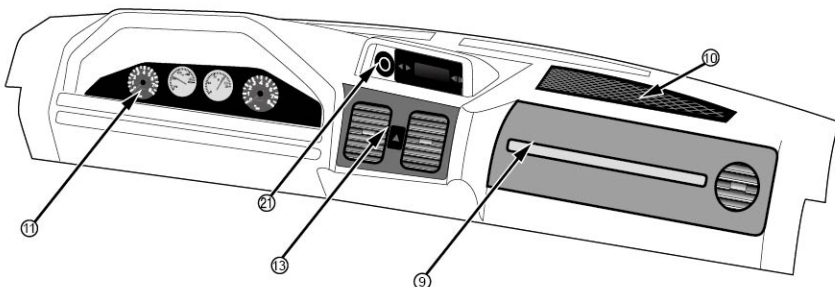
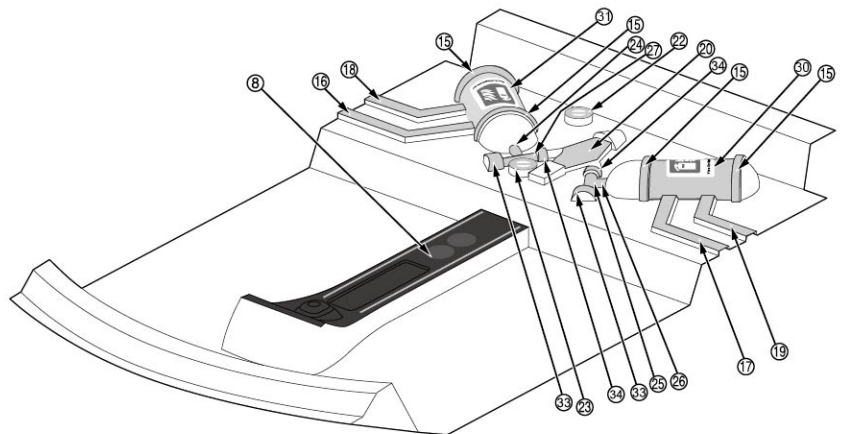
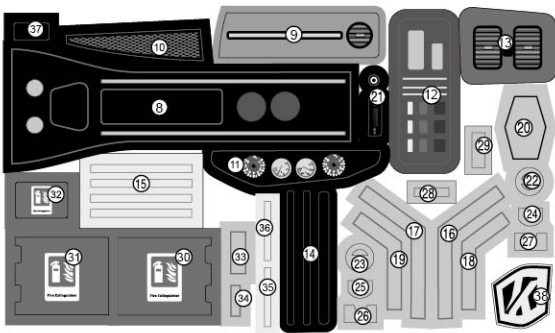
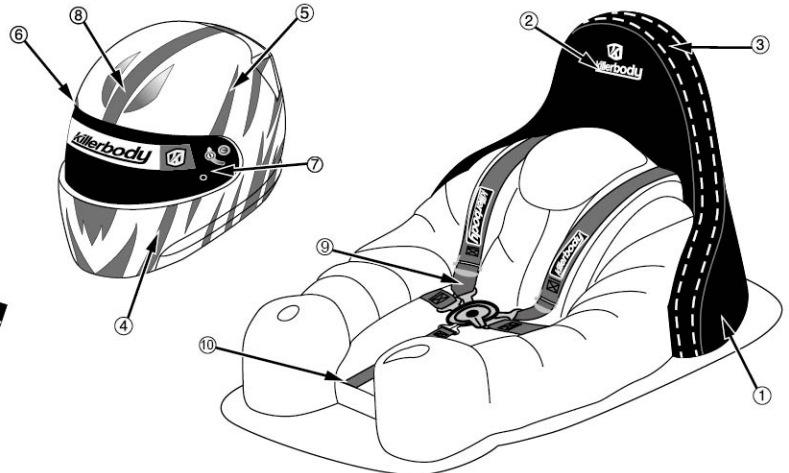
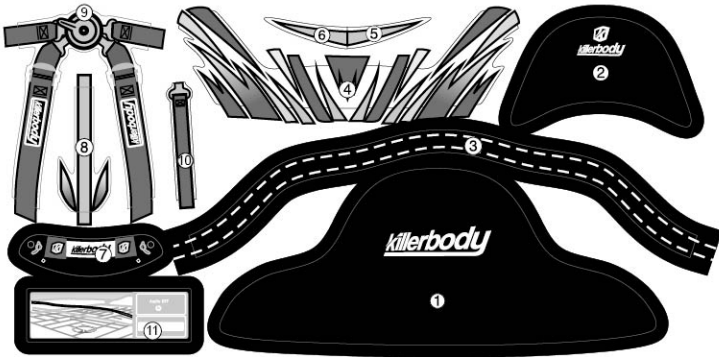
## 4 Decal

When making the window transparent

Non Decoration Body

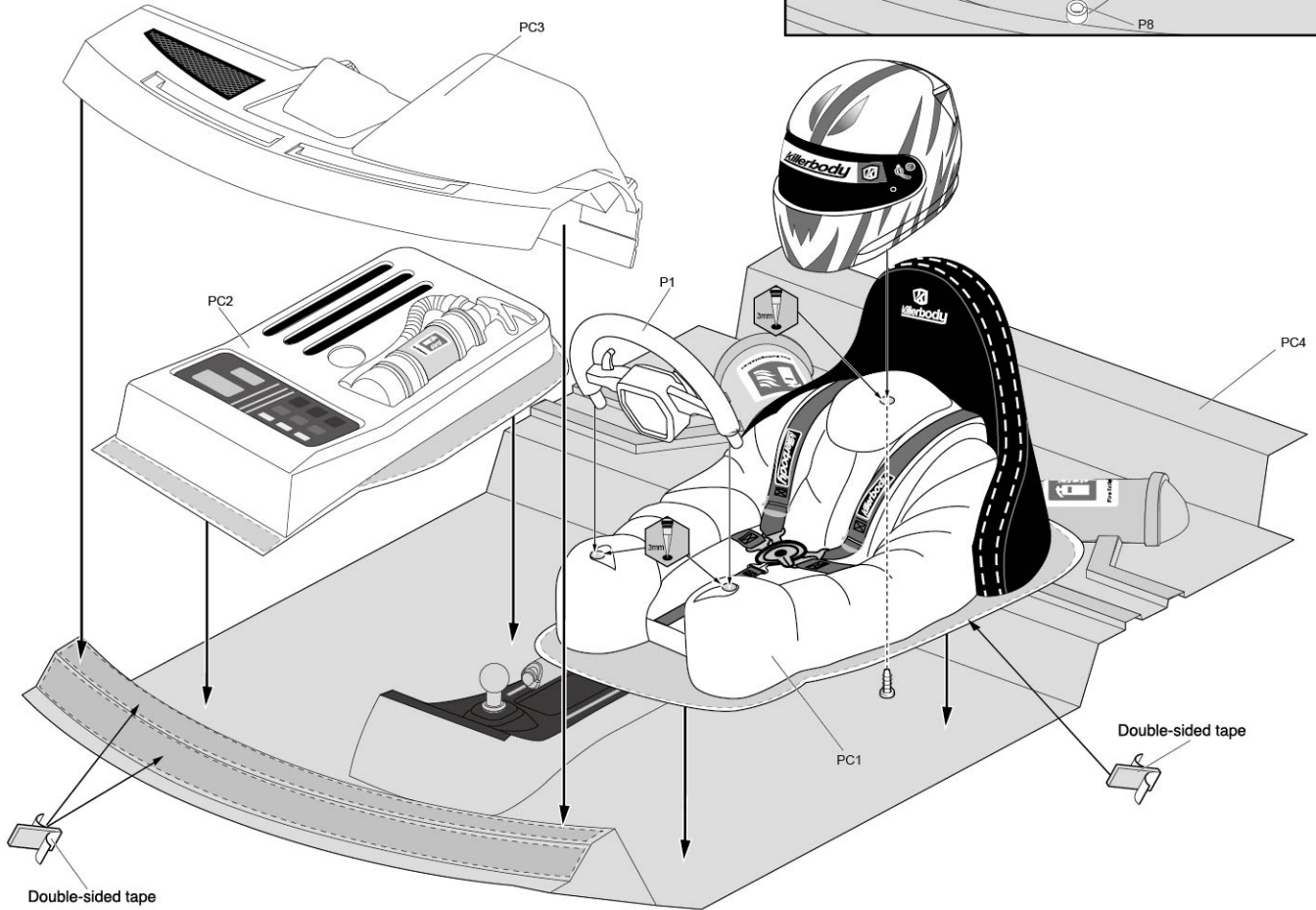
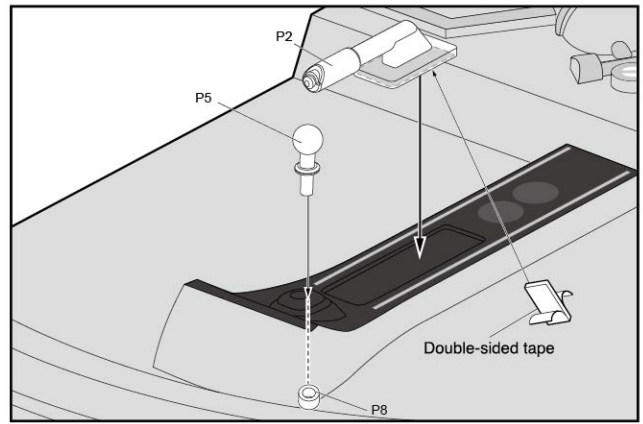
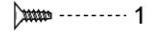
When loading LED lights

► The decal numbers between brackets are only for the opposite side.



# 5 Plastic Parts

2 x 7mm F/H TP Screw



## Accent Light of Truck Bed

Decoration Body

When making the window transparent:

Non Decoration Body

When loading LED lights

NO.48237

PARTS	
PLASTIC PARTS	----- X10
ELECTROPLATED PARTS	----- X1
PARTS BAG	
TAPPING SCREW	----- X20

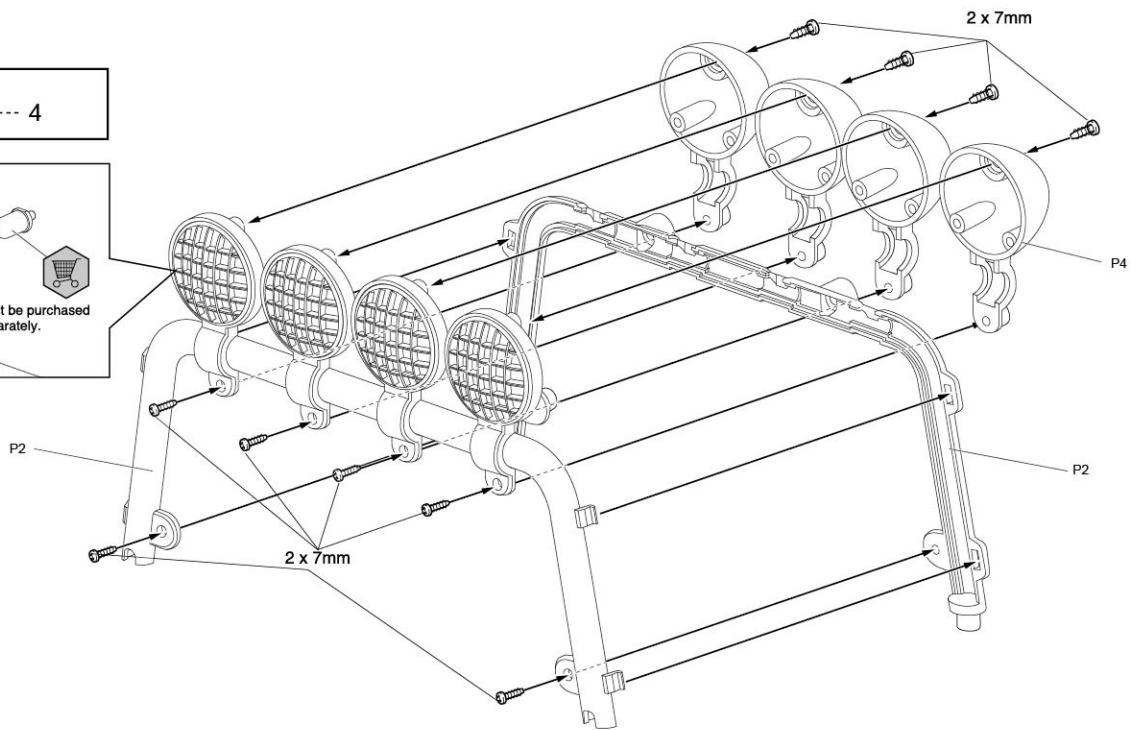
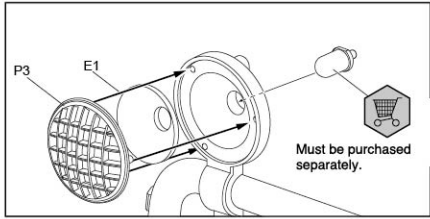
PLASTIC PARTS	
	X1
	X1
	X4
	X2
	X2

ELECTROPLATED PARTS	
	X1

# 1 Plastic Parts

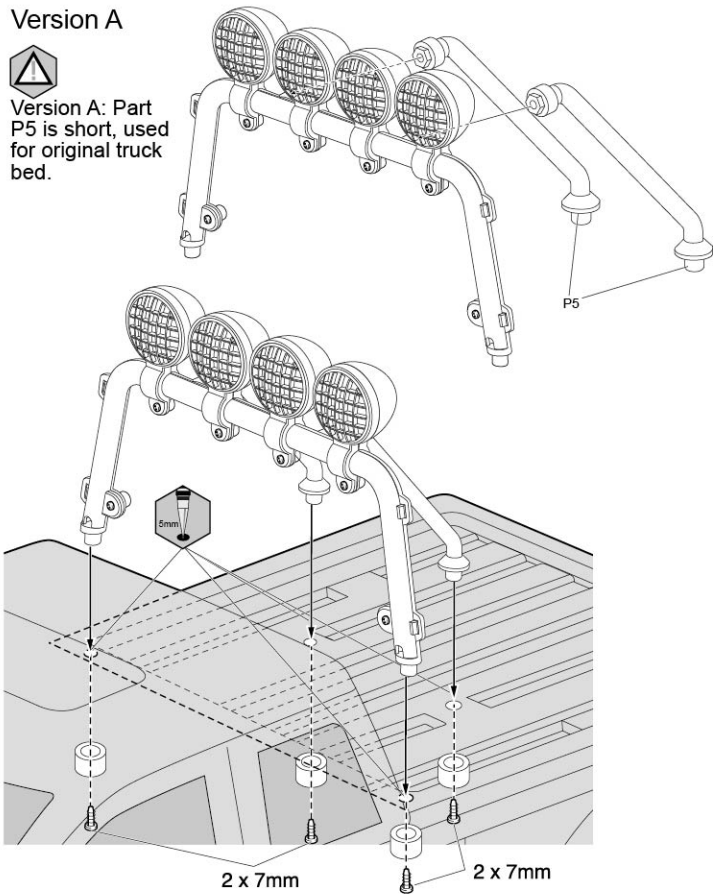
2 x 7mm F/H TP Screw  
 ..... 14     ..... 4



## Version A



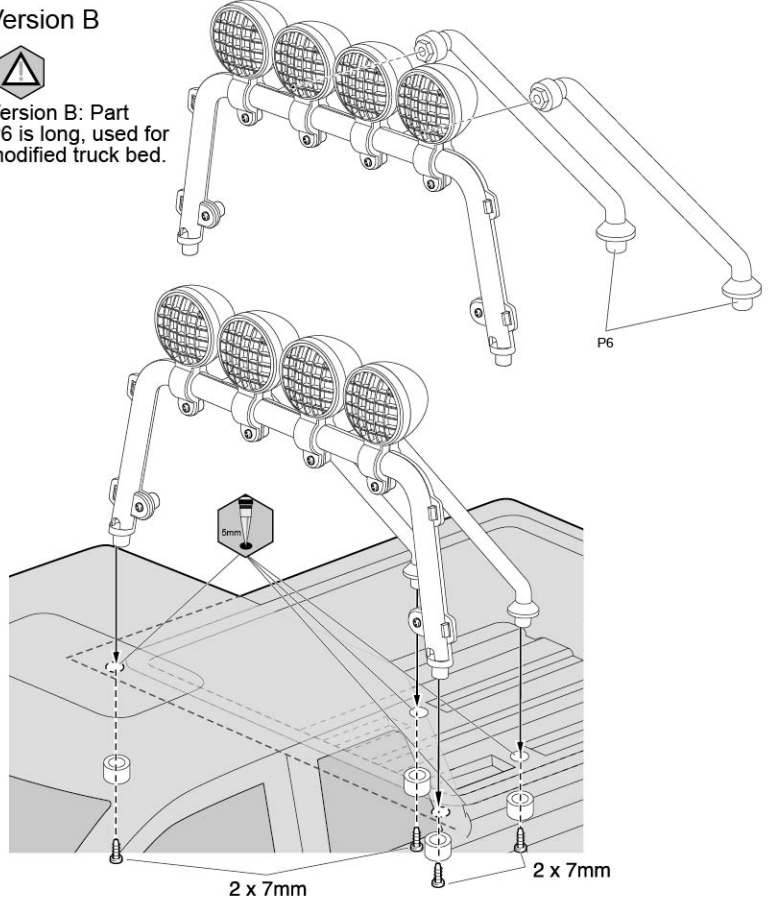
Version A: Part P5 is short, used for original truck bed.



## Version B



Version B: Part P6 is long, used for modified truck bed.



## Accent Light of Roof

Decoration Body

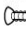
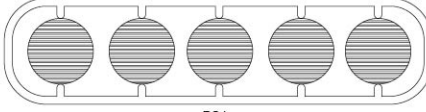
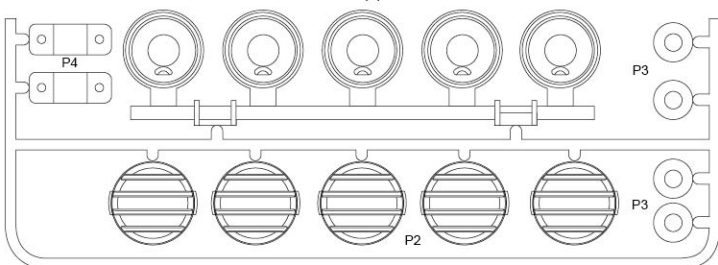
Non Decoration Body



When making the window transparent:

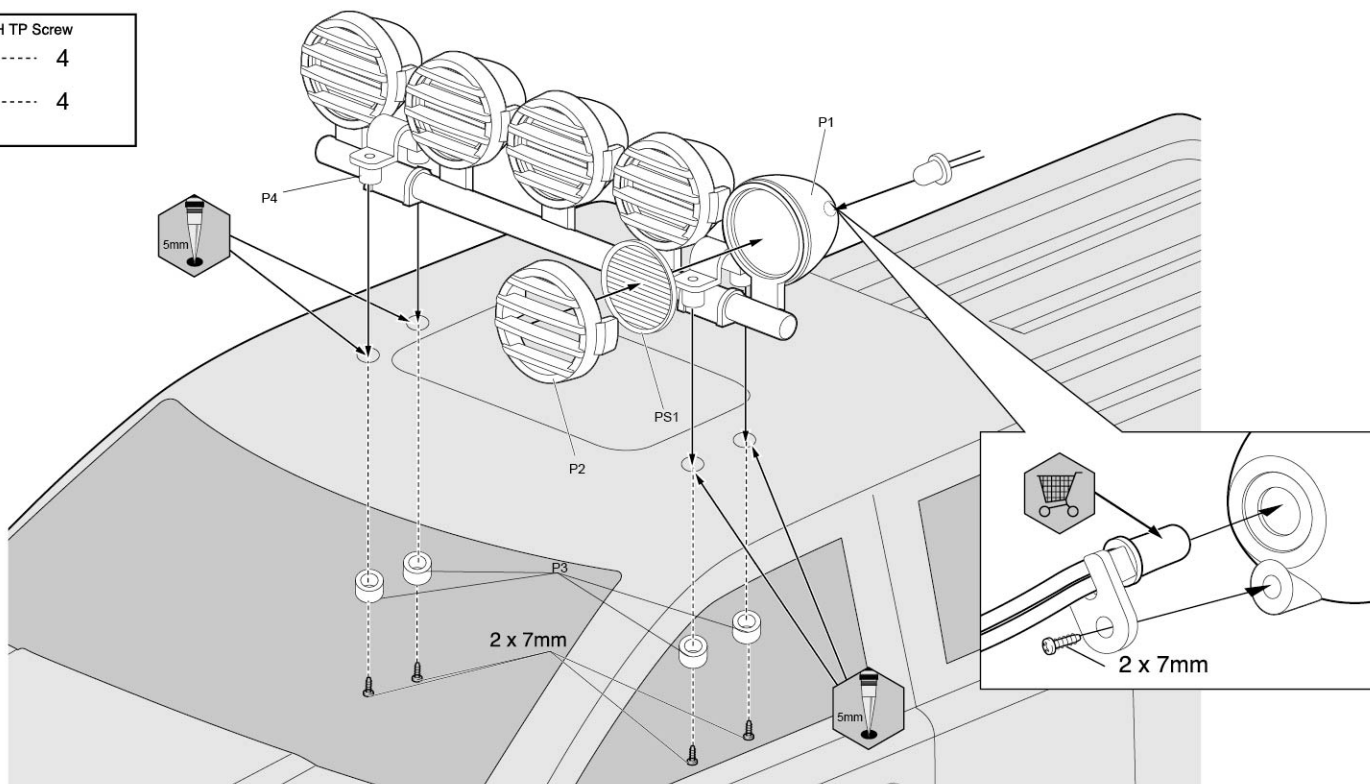
When loading LED lights

NO.48279

NO.48280

PARTS		ELECTROPLATED PARTS	
PS PARTS	----- X1		
ELECTROPLATED PARTS	----- X1		
PARTS BAG			
 TAPPING SCREW	----- X6		
PS PARTS		P1	
			
PS1		P2 P3	

- 2 x 7mm F/H TP Screw
-  ..... 4
  -  ..... 4



## Roof Luggage Rack

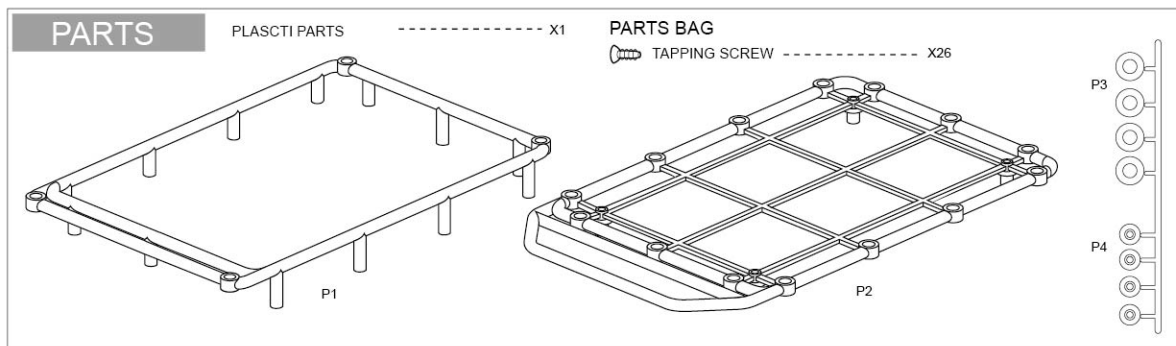
Decoration Body

Non Decoration Body



When making the window transparent:


When loading LED lights

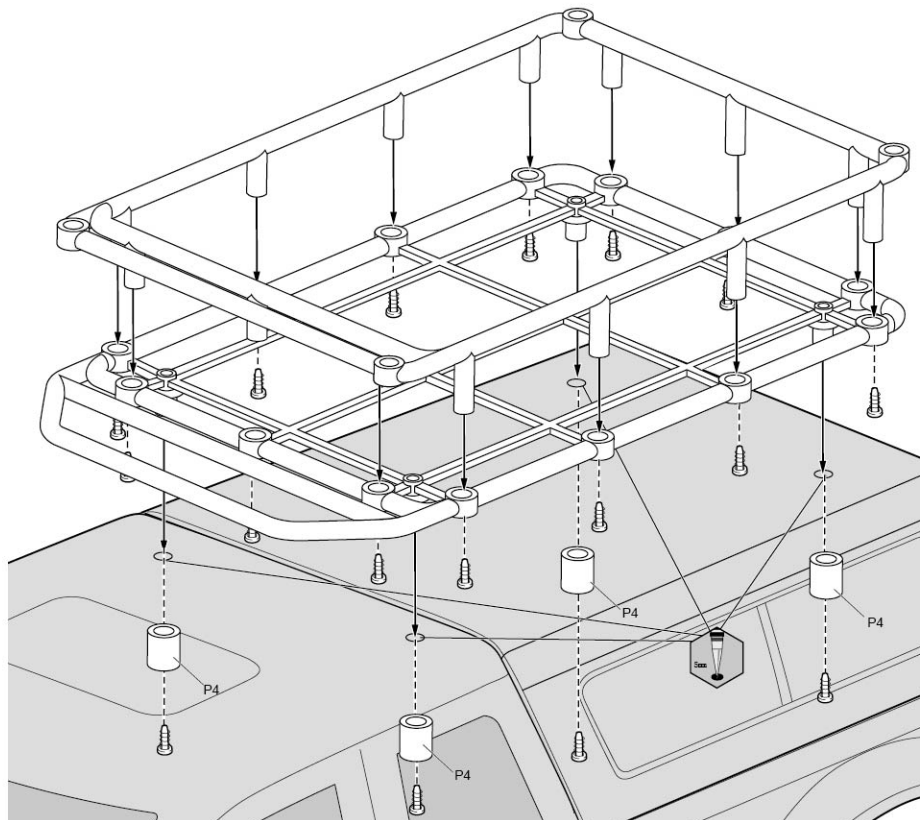
NO.48238



### 1 Plastic Parts

- 2 x 7mm F/H TP Screw
-  ..... 17
  -  ..... 4

 Part P3 is used to adjust different height of the roof luggage rack, screws size are all 2x7mm.





# Bottom Plate of Luggage Rack

Decoration Body

Non Decoration Body

When making the window transparent:

When loading LED lights

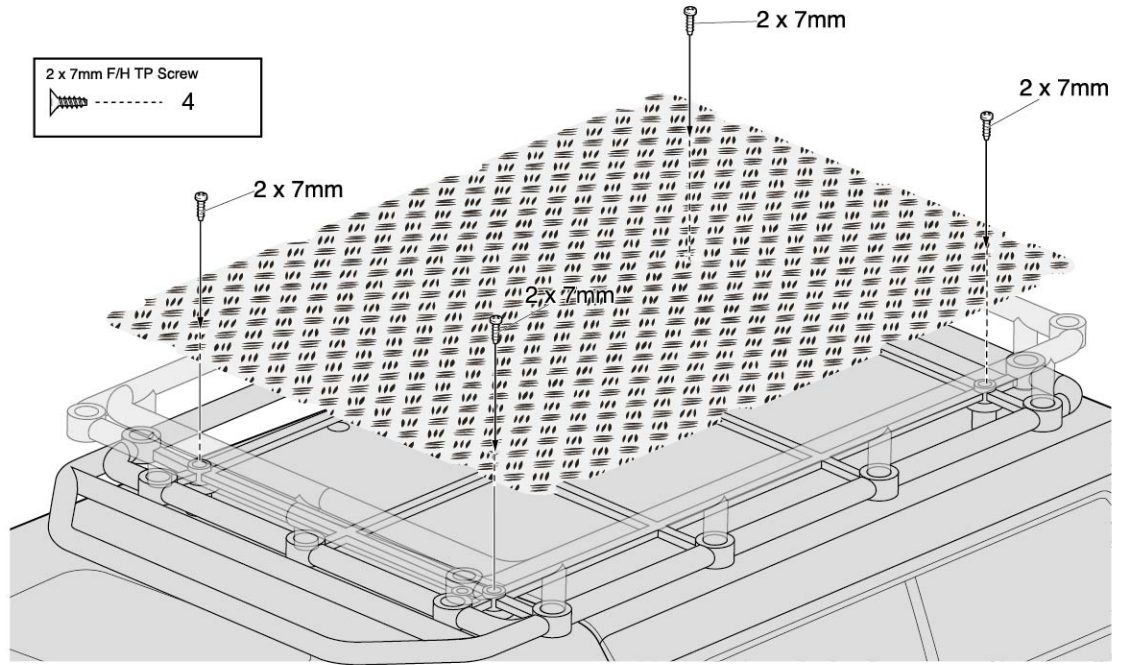
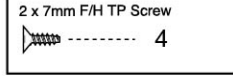
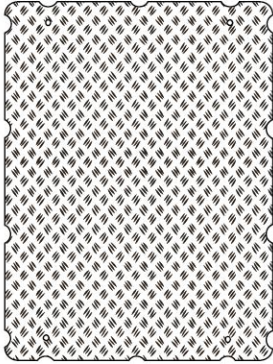
NO.48348

## PARTS

METAL PARTS ----- X1

PARTS BAG

TAPPING SCREW ----- X4



# Accent Light W/SMD LED Unit Set

Decoration Body

Non Decoration Body

When making the window transparent:

When loading LED lights

NO.48347

## PARTS

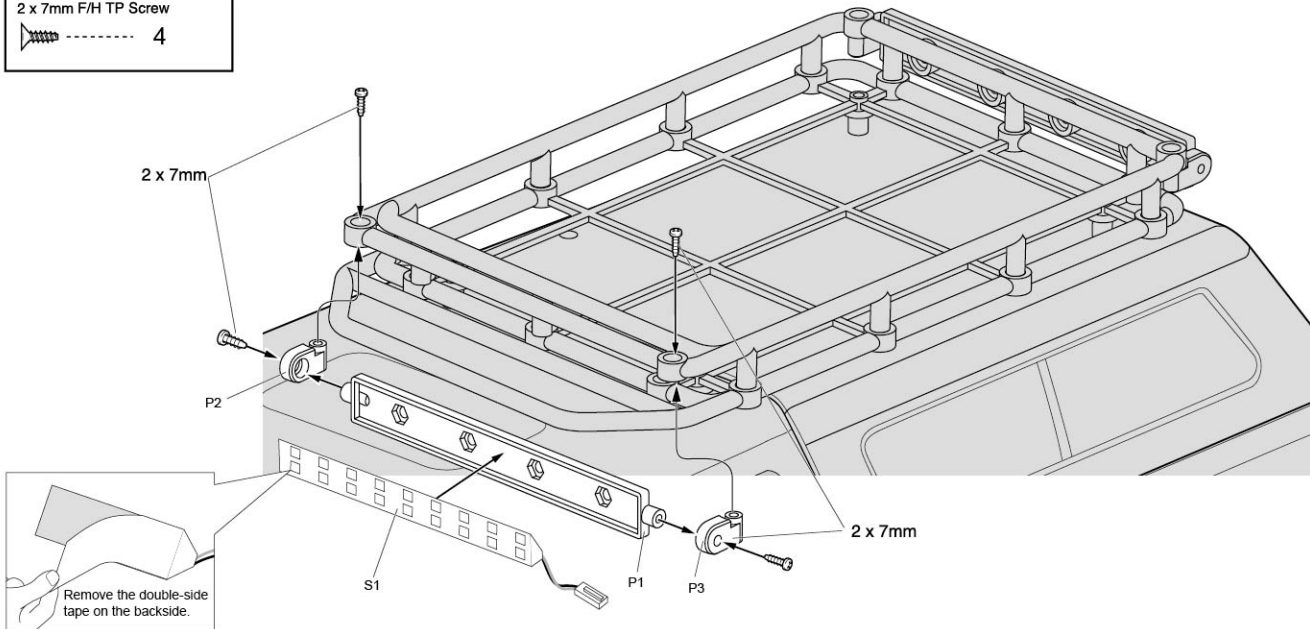
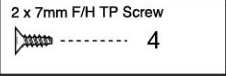
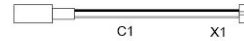
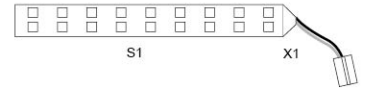
PLASCTI PARTS ----- X3

PARTS BAG

SMD LED LIGHT ----- X1

CONNECTING WIRE ----- X1

TAPPING SCREW ----- X8



# Accent Light

Decoration Body

Non Decoration Body

When making the window transparent:

When loading LED lights

NO.48277

NO.48278

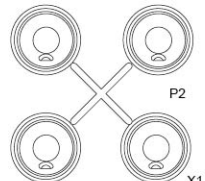
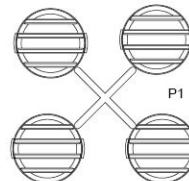
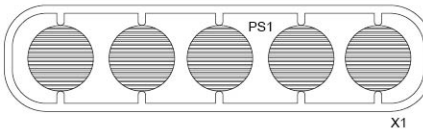
## PARTS

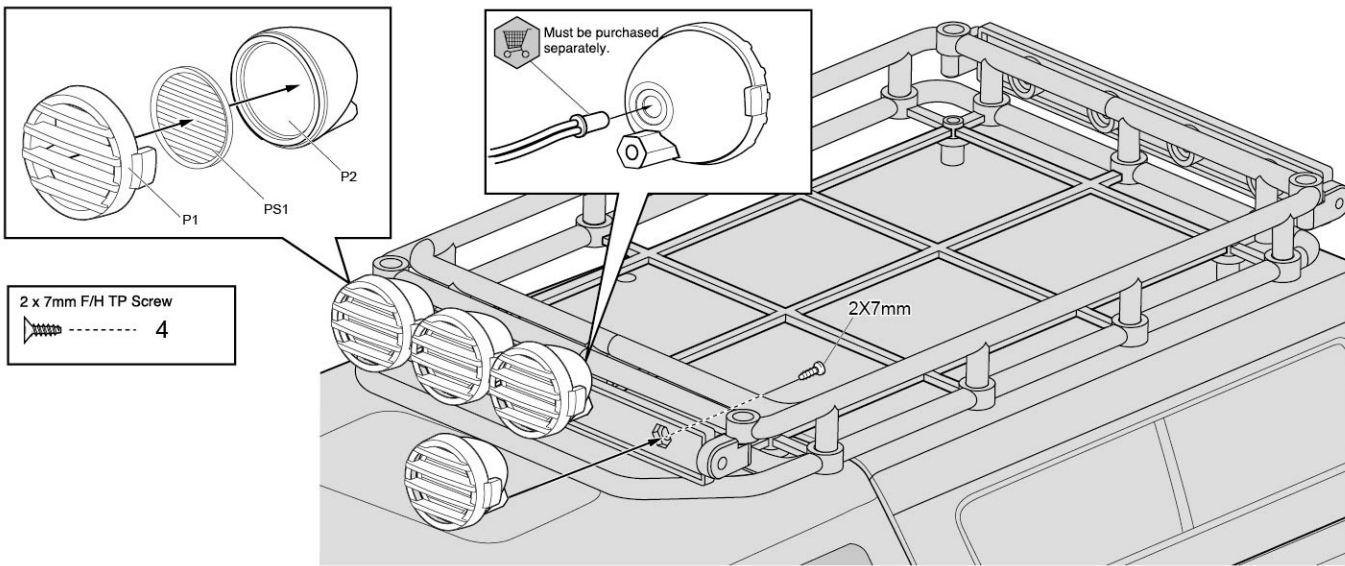
PS PARTS ----- X1

PARTS BAG

TAPPING SCREW ----- X6

PS PARTS





**Wing Mirror W/LED Unit Set**

Decoration Body	Non Decoration Body
When making the window transparent:	When loading LED lights

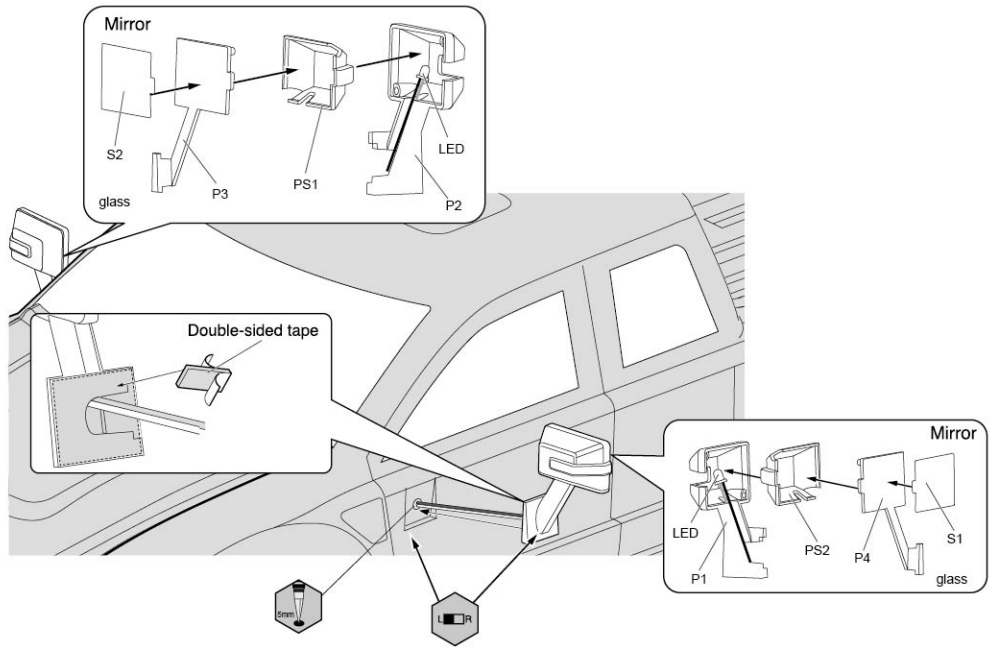
NO.48228

**PARTS**

PLASCTI PARTS ----- X1  
 PS PARTS ----- X1

**PARTS BAG**

LED LIGHT UNIT ----- X1  
 SILVER MIRROR DECAL ----- X1  
 DOUBLE-SIDED TAPE ----- X1



**Wing Mirror W/LED Unit Set**

Decoration Body	Non Decoration Body
When making the window transparent:	When loading LED lights

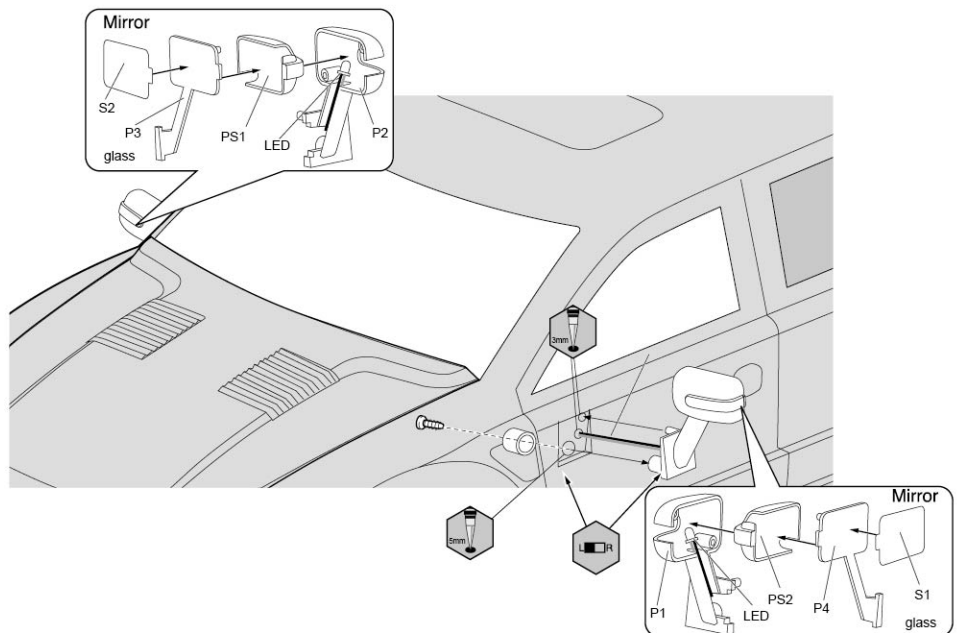
NO.48229

**PARTS**

PLASCTI PARTS ----- X1  
 PS PARTS ----- X1

**PARTS BAG**

LED LIGHT UNIT ----- X1  
 SILVER MIRROR DECAL ----- X1  
 TAPPING SCREW ----- X3



# Wing Mirror Set

Decoration Body

Non Decoration Body

When making the window transparent:

When loading LED lights

NO.48234

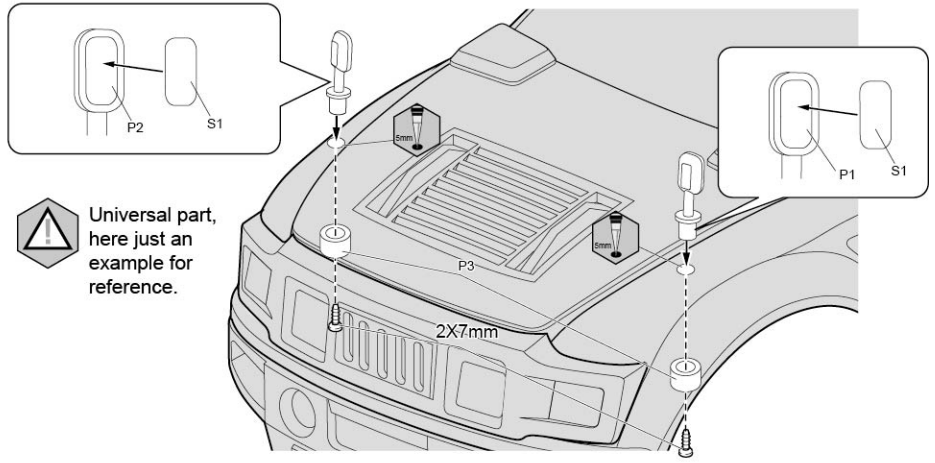
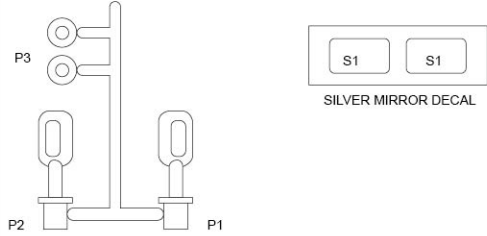
## PARTS

PLASCTI PARTS ----- X1

PARTS BAG

SILVER MIRROR DECAL ----- X1

TAPPING SCREW ----- X2



# Chromed Plastic Door Handle

Decoration Body

Non Decoration Body

When making the window transparent:

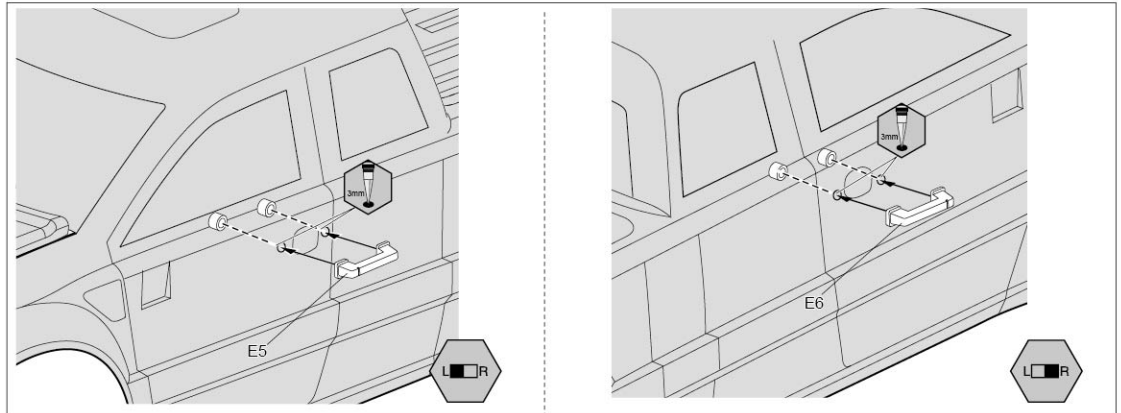
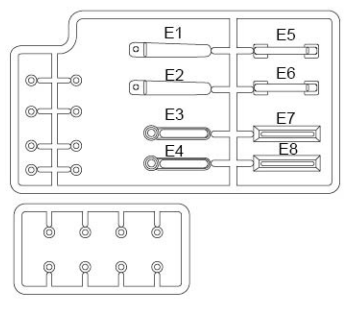
When loading LED lights

NO.48235

There are 4 style of door handle, here only take one style as an example, all the installation methods are same.

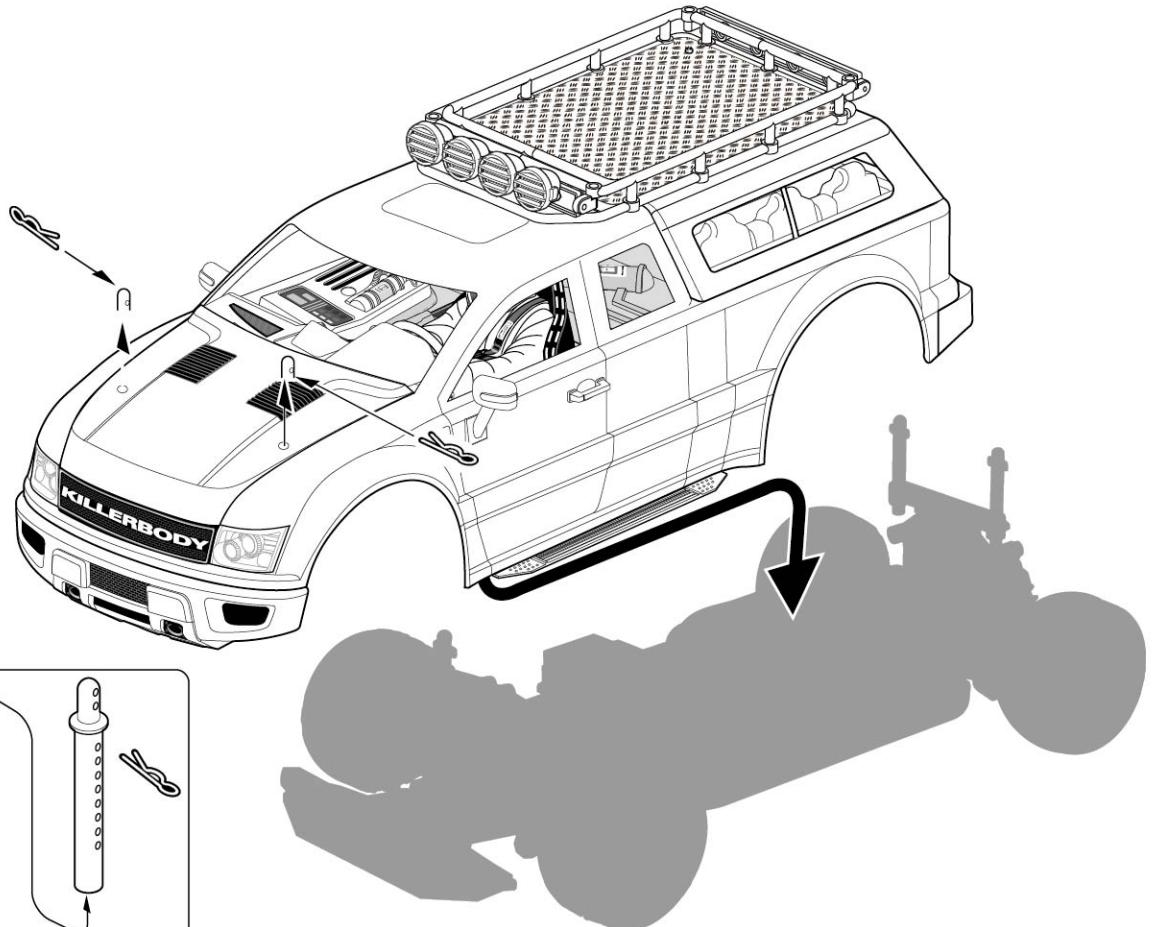
## PARTS

ELECTROPLATED PARTS ----- X2

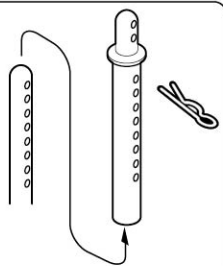


## Example 1

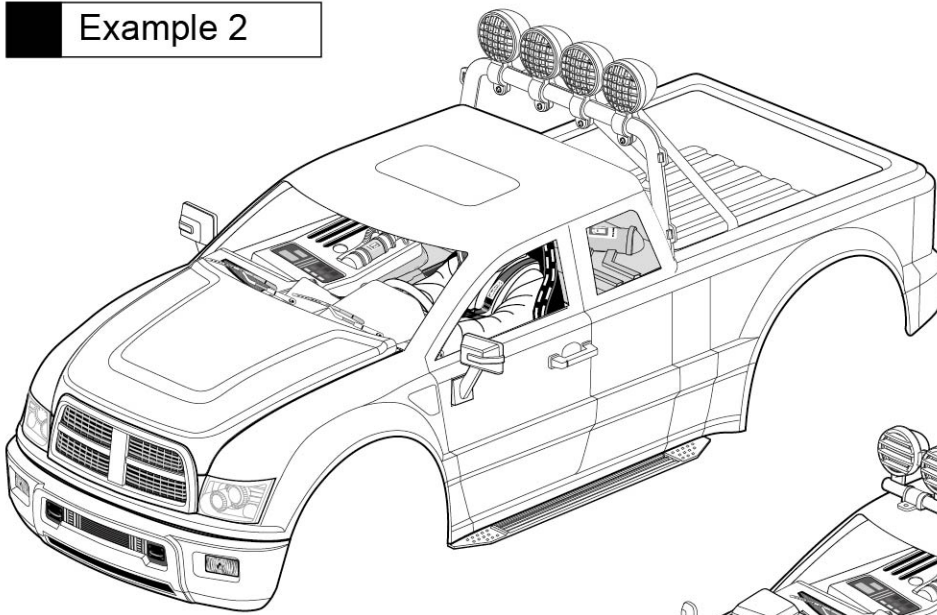
Here just 3 modified examples for reference, you can make much more and better modification.



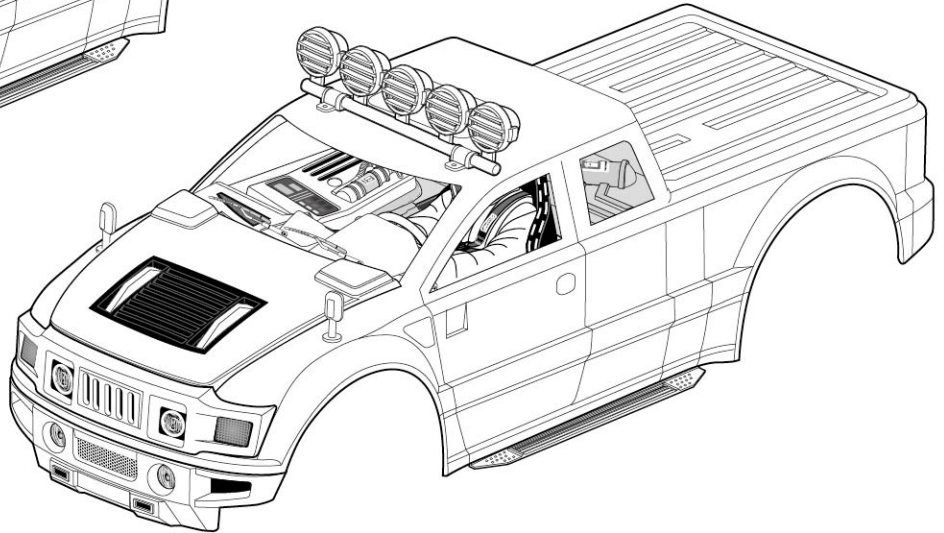
Use the extension body mount (sold separately) if the body mount height is not enough.



## Example 2



## Example 3



### Option Parts & Accessory

No.	Part Names	No.	Part Names
48204	RUBIK 1/10 Electric Monster Truck Clear Body Shell	48237	Accent Light of Truck Bed 1/10 Truck
48205	RUBIK 1/10 Electric Monster Truck Body Shell Flame pattern (Semi-printed) Trimmed	48224	Cockpit Set 1/10 Truck
48206	RUBIK 1/10 Electric Monster Truck Body Shell Knight pattern (Semi-printed) Trimmed	48256	Moveable Outdoor Tooling Set 1/10 Truck
48207	RUBIK 1/10 Electric Monster Truck Body Shell The Hulk pattern (Printed) Trimmed	48345	Decorative Ladder 1/10 Truck
48209	RUBIK 1/10 Electric Monster Truck Body Shell Knight-red pattern (Printed) Trimmed	48238	Roof Luggage Rack (Double Layer) 1/10 Truck
48211	RUBIK 1/10 Electric Monster Truck Body Shell Flame pattern (Printed) Trimmed	48348	Bottom Plate of Luggage Rack (Stainless Steel) 1/10 Truck
48213	RUBIK 1/10 Electric Monster Truck Body Shell Knight-blue pattern (Printed) Trimmed	48349	Decorative Strander 1/10 Truck
48329	RUBIK 1/10 Electric Monster Truck Body Shell Carbon fiber pattern (Printed) Trimmed	48346	Accent Light W/SMD LED Unit Set (12 LEDES) 1/10 Truck
48208	RUBIK 1/10 Electric Monster Truck Finished Body Shell The Hulk pattern (Printed)	48347	Accent Light W/SMD LED Unit Set (18 LEDES) 1/10 Truck
48210	RUBIK 1/10 Electric Monster Truck Finished Body Shell Knight-red pattern (Printed)	48281	Exhaust Pipe (Can be installed with LED) 1/10 scale
48212	RUBIK 1/10 Electric Monster Truck Finished Body Shell Flame pattern (Printed)	48282	Exhaust Pipe (Can be installed with LED) 1/10 scale
48328	RUBIK 1/10 Electric Monster Truck Finished Body Shell Knight-blue pattern (Printed)	48283	Exhaust Pipe (Can be installed with LED) 1/10 scale
48330	RUBIK 1/10 Electric Monster Truck Finished Body Shell Carbon fiber pattern (Printed)	48284	Exhaust Pipe (Can be installed with LED) 1/10 scale
48215	Transparent Light Lenses 1/10 Electric Monster Truck Lexan molded / PC material	48231	Moveable Fuel Door 1/10 scale
48216	Modified Truck Bed 1/10 Electric Monster Truck Lexan molded / PC material	48351	Number Plate W/LED Unit Set 1/10 scale
48218	Modified Seat for Truck Bed 1/10 Electric Monster Truck Lexan molded / PC material	48242	Dashboard (Right) 1/10 Scale
48220	Modified Hood & Front Fender Set 1/10 Electric Monster Truck Lexan molded / PC material	48241	Dashboard (Left) 1/10 Scale
48221	Modified Hood & Front Fender/Bumper Set 1/10 Electric Monster Truck Lexan molded / PC material	48245	Navigator Set 1/10 Scale
48225	Chromed Light Bucket 1/10 Electric Monster Truck Lexan molded / PC material	48235	Chromed Plastic Door Handle 1/10 Scale
48239	Modified Hood & Front Fender Set 1/10 Electric Monster Truck Lexan molded / PC material	48236	Black Plastic Door Handle 1/10 Scale
48240	Modified Truck Topper Set 1/10 Electric Monster Truck Lexan molded / PC material	48350	Hooks & Rings Set (Diecast alloy) 1/10 Scale
48222	Chromed Pedal 1/10 Electric Monster Truck Lexan molded / PC material	48361	Hooks & Rings Set (Diecast alloy) 1/10 Scale
48223	Chromed Rear Bumper 1/10 Electric Monster Truck Lexan molded / PC material	48274	Body Clip 1/10 scale
48227	Chromed Light Bucket 1/10 Electric Monster Truck Lexan molded / PC material	48273	Body Rope w/Clip Set (Metal) 120mm
48228	Wing Mirror W/LED Unit Set 1/10 Truck	48362	Body Rope w/Clip Set (Metal) 80mm 1/10 scale
48229	Wing Mirror W/LED Unit Set 1/10 Truck	48363	Body Rope w/Clip Set (Metal) 80mm
48234	Wing Mirror Set 1/10 Truck	48365GD	Flange Locknut (Aluminum alloy) Gold
48277	Accent Light 1/10 Truck	48365BK	Flange Locknut (Aluminum alloy) Black
48278	Accent Light 1/10 Truck	48365RD	Flange Locknut (Aluminum alloy) Red
48279	Accent Light of Roof 1/10 Truck	48365SL	Flange Locknut (Aluminum alloy) Silver
48280	Accent Light of Roof 1/10 Truck	48365GY	Flange Locknut (Aluminum alloy) Grey